
User Manual

Rechargeable Multifunctional Lamp

Cat. No.: 26004



Please read before use.

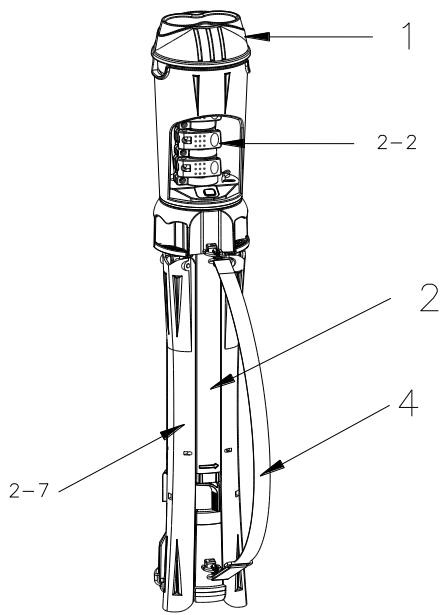
Contents

Specifications	3
Parts	4
Directions	5
Deploy the work light	5
12-24V DC car charger	6
Closing.....	6
Switch function.....	7
Battery replacement / charging	7
Battery replacement.....	7
Charging	8
Charging station	8
Caution.....	8
Lithium ion removable & rechargeable battery pack	8
Work light care	8

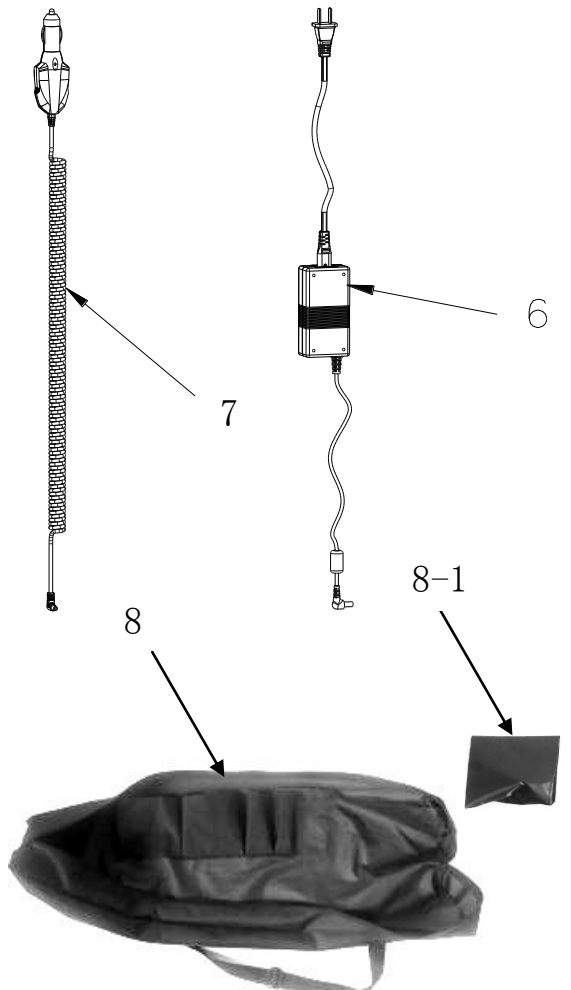
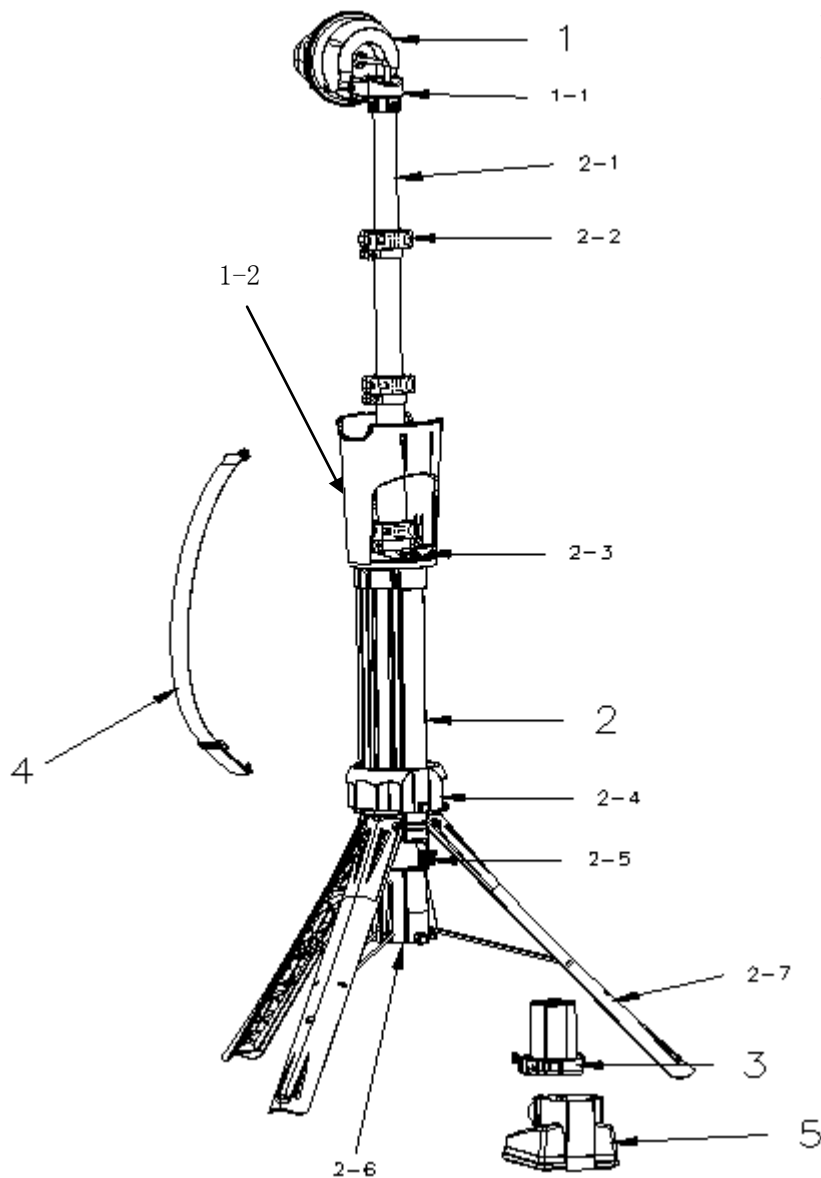
Specifications

Name	Rechargeable Multifunctional Lamp
LED	2 pcs Cree® XMLBWT-T6 LED
LED consumption	5W per pc, 50000 hrs
Color temperature	6000-7500 K
Switch	4 settings: High/Low/S.O.S/Off
Led output	600 - 1200 lumens
Beam distance/spread	Flood:85M/ 60 °
Battery	Lithium ion,7.4V 4400mAh(32.56Wh), 500 cycles
Run time	3-7Hrs
Charging	2-3Hrs
Light size	φ120X740mm - φ780X1800mm;
Telescopic mast	Aluminum, 3 pcs
Length closed	74cm
Mast height extended	~1.8 M
Head rotation angle	120°
Weight	3.2 kgs
Light materials	PA6+GF30, PC, aluminum, rubber and copper
Use condition	Indoor & outdoor use (rainproof), drop height : 1M
Ac adapter	Input: 100-240V ~ 50/60Hz; output:12V 3A DC cord: 20 AWG, 1.2 m; DC small plug: 90°, 5.5*2.1mm
AC cord/Plug	AC electric cord:2 X 0.75mm ² , 1.2 m; plug:7A 125V
12-24v dc charger	3M(10ft) coil cord and replaceable 8 A fuse tube, DC small plug: 90°, 5.5*2.1mm
7.4V Li-ion Charging Station	Input: DC 12 – 24V 3A 25.5W, output: DC 8.5V 3A
Belt	3.7(W) cm X 1.15(L) M

Parts



- ◆ LED light head.....(1)
- ◆ Upper /lower rotating part.....(1-1)
- ◆ Housing.....(1-2)
- ◆ Main body..... (2)
- ◆ Telescopic mast.....(2-1)
- ◆ Telescopic mast lock catch.....(2-2)
- ◆ Control system panel.....(2-3)
- ◆ Support collar.....(2-4)
- ◆ Tripod switch.....(2-5)
- ◆ Battery chamber.....(2-6)
- ◆ Tripod.....(2-7)
- ◆ Battery pack.....(3)
- ◆ Shoulder belt.....(4)
- ◆ Charging station.....(5)
- ◆ Fast AC home adapter.....(6)
- ◆ 12-24V DC car charger.....(7)
- ◆ Canvas storage bag.....(8)
- ◆ Charging station bag.....(8-1)



Directions

※Caution: Please keep fingers clear when operating.

Deploy the work light

- ① Align two yellow ◀ patterns on battery pack with the two yellow latches outside the battery chamber. Insert battery pack into the chamber.



- ② Rotate the tripod switch. The tripod will spring outwards automatically.
③ Move support collar towards tripod switch that could be positioned. Then the tripod can support light on the ground.
④ Open bottom telescopic mast lock catch outwards, and take LED light head out from the gap. Lock the telescopic mast lock catch at required height of use.



- ⑤ Open other telescopic mast lock catches in turn, draw out telescopic mast upwards so as to raise the LED light head up to required height of use, then lock telescopic mast lock catches.
⑥ Rotate the LED light head to the required direction by the upper and lower rotating part.



12-24V DC car charger

Includes a universal 12-24V DC car charger and can be used for the battery pack.

※ Will not use its battery when plugged in. Please cover up DC jack with the rainproof cap after using.

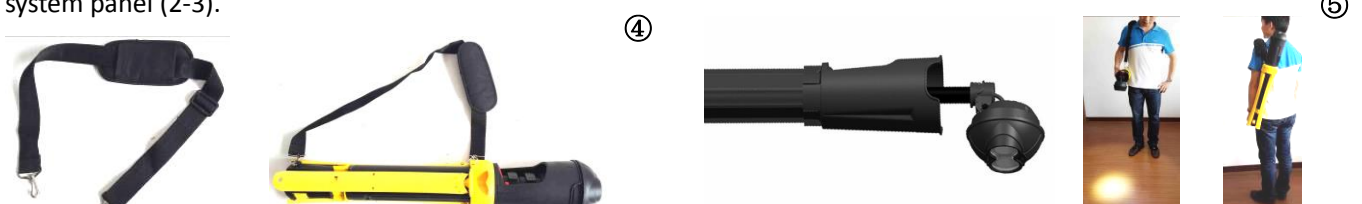


Closing

- ① Rotate LED light head facing upwards. Close telescopic mast from the bottom telescopic mast lock catch to the top in turn.
- ② Pull support collar (2-4) towards housing (1-2) so as to close tripod (2-7) towards main body (2).
- ③ Press each leg of tripod(2-7) to latch inwards tripod switch (2-5), and retract LED light head(1) into housing(1-2). Lock all of telescopic mast lock catches(2-2).



- ④ Equipped shoulder belt (4) attached to the housing (2).
- ⑤ LED light head (1) could light towards the front and bend to the ground. Easier to touch switch above control system panel (2-3).




- ⑥ Includes a canvas storage bag (8).

※ **Caution:** Put the charging station (5) into charging station bag (8-1) in to avoid scratches.



Switch function

Pictures	Illuminated LED battery status
 <p data-bbox="395 667 767 698">4 Settings: High/Low/S.O.S/Off</p>	<p data-bbox="834 465 1070 495">Green = Good status</p> <p data-bbox="834 510 1139 539">Orange = Suggest charging</p> <p data-bbox="834 577 1433 607">Red Flashing = Stop and will switch when power low</p> <p data-bbox="834 656 999 685">Off=No power</p>

Battery replacement / charging

Battery replacement

- ① Remove the battery pack by pressing the two yellow latches on both sides of battery chamber (2-6) simultaneously and pulling it out.

①



- ② Put battery pack into charging station.

※ Align the two yellow ◀ patterns on battery pack with the two yellow latches outside the charging station(5).

②



- ③ After charging completed, remove the battery pack by pressing the two yellow latches on the both sides of charging station simultaneously and pulling it out.

③



Charging

① Charging station(5) could be connected with AC home adapter (6) and 12-24V DC car charger (7) to charge battery pack (3). Always remove battery pack (3) from charger once it is fully charged.

※ **Caution:** Do not use any other non-standard power adapters or directly supply AC power for charging station(5) & work light.



② A universal 12-24V DC car charger (7) with heavy-gauge 3m (10ft) coil cord, which can supply the power directly from vehicle for the light. It can be also used to charge the battery pack fast on charging station.



Charging station



Pictures	Charging station with intellective LED indications
	Green = Power plugged in/Charging Complete
	Red = Charging rapidly
	Red/Green Flashing = Fault

Caution

Lithium ion removable & rechargeable battery pack

- ※Lithium Ion batteries can explode, leak or cause burns if not handled properly.
- ※Only use approved batteries on the product.
- ※Do not open batteries.
- ※Do not dispose of in fire.
- ※Do not heat above 140°F/60°C.
- ※Do not expose batteries to water or excessive humidity.
- ※Insert batteries correctly with regard to polarity (+ and -) marked on the battery and equipment
- ※Always dispose of all batteries properly at an approved battery recycling center.

Work light care

- ※ Avoid using slopes
- ※ Use under adult supervision.
- ※ The AC home adapter (6) should be inserted into the 100-240V standard socket.
- ※ The 12-24V DC car charger (7) should be inserted into the 12-24V standard socket.

-
- ※ Do not under abnormal situations.
 - ※ Do not immerse it in water.
 - ※ Keep out of reach of children.
 - ※ Regularly switching the light on and off reduces its life time considerably.
 - ※ Do not look directly into the beam.
 - ※ Attempt to disassemble the product can damage it and void your warranty.
 - ※ It should be ensured that its power are cut off when replacement, overhaul and cleaning-up.
 - ※ Keep the light clean and dry.

DISPOSAL:

The packaging material is reusable. Dispose of the packaging in an environmentally friendly way by putting it in the appropriate recyclable waste collection containers.



Dispose of the product and the batteries in view of the environment if you want to separate. The device and the batteries must not be thrown in with domestic waste. Take them to a recycling center for used electrical and electronic devices. For more information you can consult your local government. Remove batteries first.

Eurotops Versand GmbH
Elisabeth-Selbert-Straße 3
40764 Langenfeld, Germany



If technical support is needed, please call ...

in Germany 0180 . 530 63 63* or info@eurotops.de

in Austria 01 . 230 60 43 12 or info@eurotops.at

in Switzerland 044 . 28 36 125 or info@eurotops.ch

in the Netherlands 026 . 37 36 333 or info@eurotops.nl

in France 0892 . 700 470** or info@eurotops.fr

* 14 Cents/minute via German landline, max. 42 cents/minute via mobile phone network

**34 Cents/minute via French landline

A possible return of products should be addressed to the return address stated on your invoice.

The manual only reflects the technical conditions available under printing. Any changes in technology and equipment are reserved.

© 26.04.2013