

WINBOT 9

EN Instruction Manual



Congratulations on the purchase of your ECOVACS Robotics WINBOT! We hope it brings you many years of satisfaction. We trust the purchase of your new robot will help keep your home clean and provide you more quality time to do other things.

Live Smart. Enjoy Life.

Should you encounter situations that have not been properly addressed in this Instruction Manual, please contact our Customer Service Center where a technician can address your specific problem or question.

For more information, please visit the ECOVACS official website: **www.ecovacs.com**

The company reserves the right to make technological and/or design changes to this product for continuous improvement.

Thank you for choosing WINBOT!

Contents

1. Important Safety Instructions	2
2. Package Contents and Technical Specifications	4
2.1 Package Contents.....	4
2.2 Specifications.....	4
2.3 Product Diagram.....	5
3. Operating the Robot	6
3.1 Notes Before Cleaning	6
3.2 Attach the Cleaning Pad	7
3.3 Assemble the Power Adapter.....	7
3.4 Install the Safety Tether.....	7
3.5 Place the Safety Pod	9
3.6 Spray Cleaning Solution.....	9
3.7 Start.....	10
3.8 Pause.....	11
3.9 Stop.....	12
4. Maintenance	13
4.1 Cleaning Pad.....	13
4.2 Cupule, Sensors, Squeegee, Corners.....	13
4.3 Driving Treads.....	14
5. Status Indicator Light and Sounds	15
6. Troubleshooting	16

1. Important Safety Instructions

When using an electrical appliance, basic precautions should always be followed, including the following:

READ ALL INSTRUCTIONS BEFORE USING THIS APPLIANCE.

SAVE THESE INSTRUCTIONS

1. This Appliance is not intended to be used by children under 8 or anyone lacking knowledge on proper use. Supervision may be necessary. Do not allow children to play with the Appliance.
2. Do not use the Appliance in extremely hot or cold environments (below 0°C/32°F or above 40°C/104°F). The Appliance can be used to clean outside windows if it is properly tethered to the Safety Pod, winds are calm, and it is not raining or snowing.
3. Please ensure the Appliance is plugged in while it is cleaning. The Appliance has a Back-Up Battery that charges during use. The Back-Up Battery powers the Appliance if it becomes unplugged or the electricity fails.
4. Do not leave the Appliance unattended when it is plugged in.
5. For household use ONLY. Do not use the Appliance in commercial or industrial environments.
6. Do not use the Appliance on cracked glass.
7. Only use accessories recommended or supplied by the manufacturer. Only use the Power Adapter supplied by the manufacturer.
8. Please make sure your power supply voltage matches the power voltage marked on the Power Adapter.
9. Do not use the Appliance on a framed window with a frame smaller than 5mm (0.2 inches).
10. Do not use the Appliance on wet or greasy windows.
11. Store the Appliance away from heat and flammable materials.
12. Do not use the Appliance if it does not firmly attach to the glass or has visible signs of damage.
13. To reduce the risk of electrical shock, do not put the Appliance in water or other liquid. Do not place or store Appliance where it can fall or be pulled into a tub or sink.
14. Do not touch power plug or the Appliance with wet hands.
15. Do not charge the Appliance in extremely hot or cold environments, or it may affect battery life span.
16. When charging the Appliance, do not place it on other electrical appliances and keep it away from fire and liquid.
17. Take care not to damage the power cord. Do not pull on or carry the Appliance by the power cord, use the power cord as a handle, close a window on the power cord, or put heavy weights on the power cord. Keep power cord away from hot surfaces.
18. Do not use with a damaged power cord or receptacle. Do not use the Appliance if it is not working properly, has been dropped, damaged, or come in contact with water. It must be repaired by the manufacturer or its service agent in order to avoid a hazard.
19. If the supply cord is damaged, it must be replaced by the manufacturer or its service agent in order to avoid a hazard.
20. The plug must be removed from the receptacle before cleaning or maintaining the Appliance. Do not unplug the Power Adapter by pulling on the power cord.
21. The Back-Up Battery must be replaced by the manufacturer or its service agent in order to avoid a hazard.
22. The Back-Up Battery must be removed and discarded according to local laws and regulations before disposal of the Appliance.
23. The Appliance must be disconnected from the receptacle before removing the battery for disposal of the Appliance.

1. Important Safety Instructions

24. Please dispose of used batteries according to local laws and regulations.
25. Do not incinerate the Appliance even if it is severely damaged. The battery can explode in a fire.
26. The Appliance must be used in accordance with the directions in this Instruction Manual. The company cannot be held liable or responsible for any damages or injuries caused by improper use.

For EU Countries

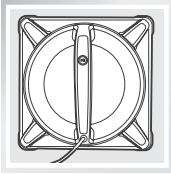


Correct Disposal of this product

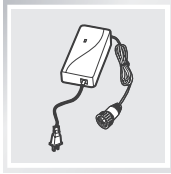
This marking indicates that this product should not be disposed of with other household waste throughout the EU. To prevent possible harm to the environment or human health from uncontrolled waste disposal, recycle it responsibly to promote the sustainable reuse of material resources. To recycle your used device, please use the return and collection systems or contact the retailer where the product was purchased. They can safely recycle this product.

2. Package Contents and Technical Specifications

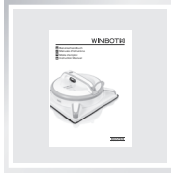
2.1 Package Contents



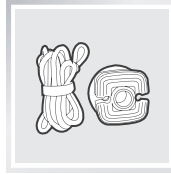
WINBOT 9



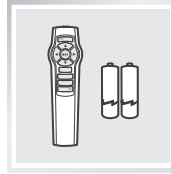
Power Adapter



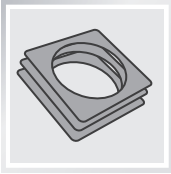
Instruction Manual



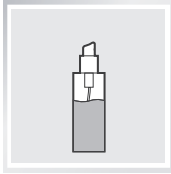
Safety Pod and Tether



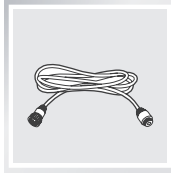
Remote Control with Batteries



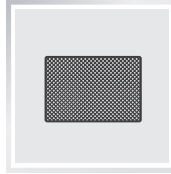
(3) Cleaning Pads



WINBOT Cleaning Solution



(1) WINBOT Extension Cord (1.5m/4'11")



Finishing Cloth

2.2 Specifications

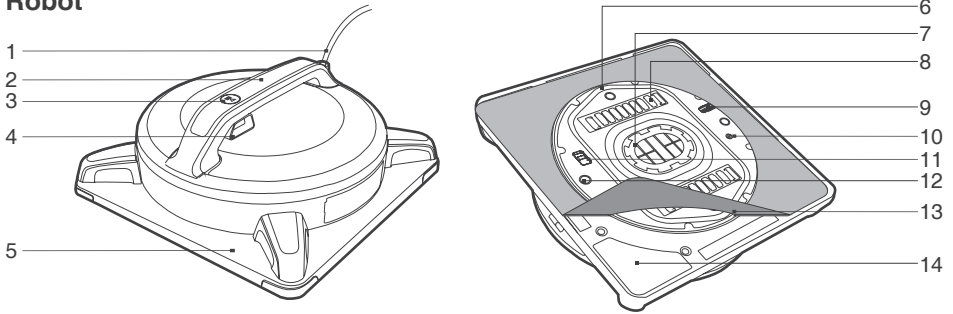
Model	W930		
Working Voltage	15V DC	Rated Power	35W
Remote Control			
Input Voltage	3V DC		
Power Adapter : WT1503000			
Input : 100-240V AC 50/60Hz 1.6A	Output : 15V DC 3.0A		

* Technical and design specifications may be changed in the course of continuous product improvement.

2. Package Contents and Technical Specifications

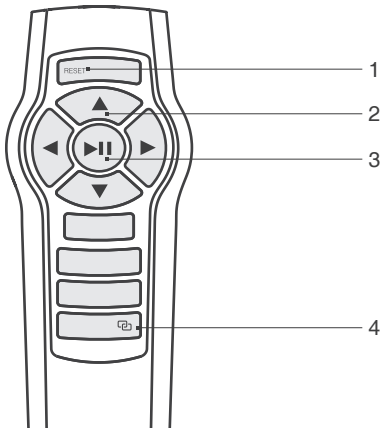
2.3 Product Diagram

Robot



- | | | |
|--|-----------------------------------|----------------------------|
| 1. Power Cord | 6. Squeegee | 11. Bottom Power Switch |
| 2. Handle | 7. Cupule | 12. Edge Detection Sensors |
| 3. Status Indicator Light and START/PAUSE Button | 8. Driving Treads | 13. Cleaning Pad |
| 4. Air Release Trigger | 9. Wheel Sensor | 14. Cleaning Pad Velcro |
| 5. Cleaning Pad Plate | 10. Bottom Status Indicator Light | |

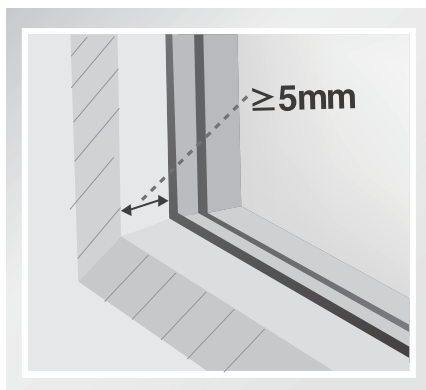
Remote Control



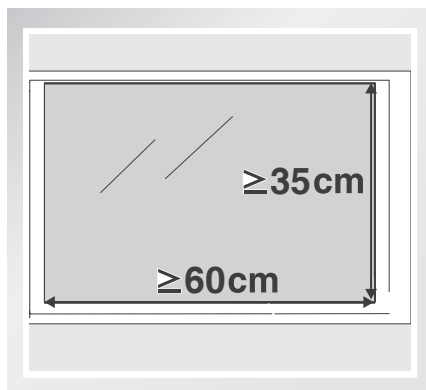
1. RESET Button
2. Direction Control Buttons
3. START/PAUSE Button
4. Remote Control Pairing Button

3. Operating the Robot

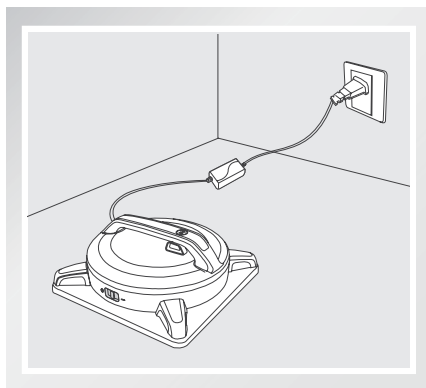
3.1 Notes Before Cleaning



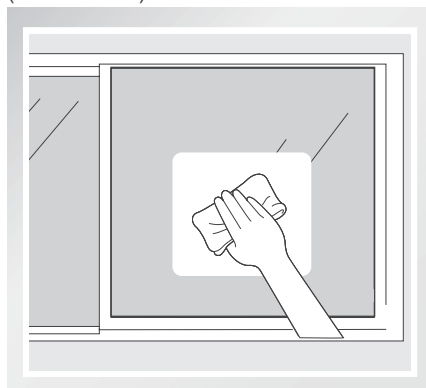
Do not use WINBOT 9 on a framed window with frame smaller than 5mm (0.2").



WINBOT 9 can be used to clean framed or frameless glass, larger than 35cm x 60cm (13.8" x 23.6").



If WINBOT 9's Status Indicator Light flashes GREEN after powering ON, the Back-Up Battery requires charging. Keep WINBOT 9 plugged in to charge the Back-Up Battery until the Status Indicator Light flashes BLUE. WINBOT 9 will not clean until the Back-Up Battery is charged.



If the window is fully covered with dirt, clean a small area on the glass before use and place WINBOT 9 there.

- Please ensure there is a 15cm (5.9") clearance between the glass and obstacles in the room like curtains or furniture.
- WINBOT 9 can clean horizontally mounted glass, or glass mounted at an angle, using the Direction Control Buttons on the Remote Control.
- Do not use WINBOT 9 upside down.
- Do not use WINBOT9 on windows with an uneven surface, such as decaled, frosted, textured, patterned, or coated glass.
- WINBOT 9 should only be used with WINBOT Cleaning Solution. Using other cleaners significantly reduces WINBOT's performance and can damage the robot.

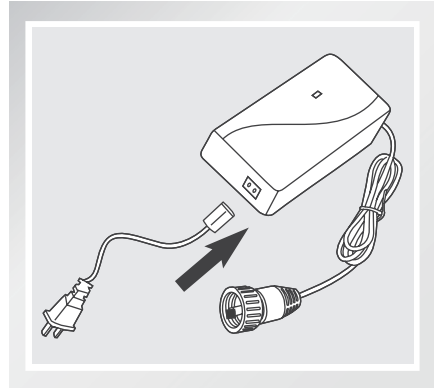
3. Operating the Robot

3.2 Attach the Cleaning Pad



Turn WINBOT 9 over and attach the Cleaning Pad to the Velcro smoothly. Make sure the Cleaning Pad is placed exactly within its Velcro area.

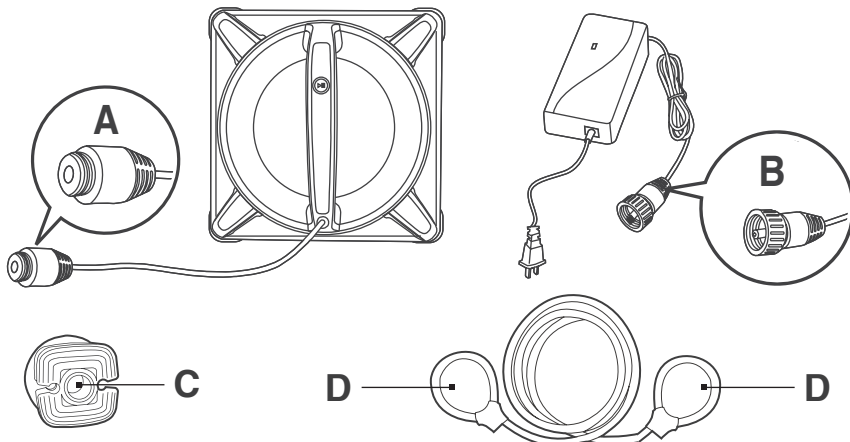
3.3 Assemble the Power Adapter



3.4 Install the Safety Tether

If WINBOT 9 is used to clean an outside window, the Safety Pod and Tether **MUST** be used.

* If WINBOT 9 is being used to clean an inside window, please skip to step 3.6.

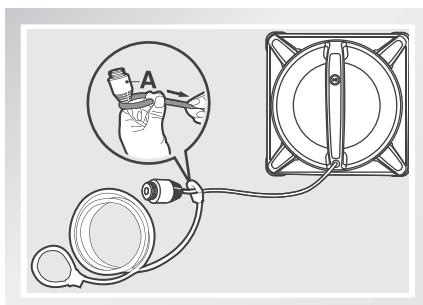


End A: Robot Power Cord
End C: Safety Pod

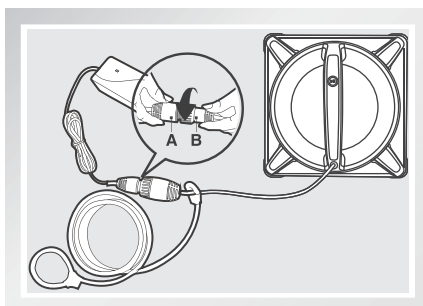
End B: Power Adapter Power Cord
End D: Safety Tether

3. Operating the Robot

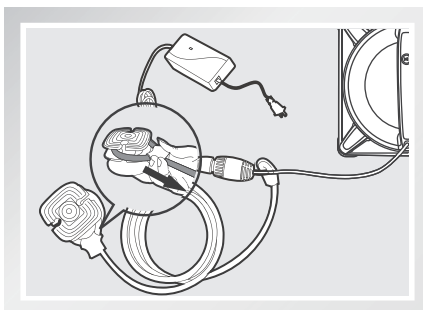
- 1** Loop one end of the Safety Tether to End A on the Robot Power Cord and tighten.



- 2** Connect End A and End B and tighten.



- 3** Loop the other end of the Safety Tether around the Safety Pod's channel and pull it tight.



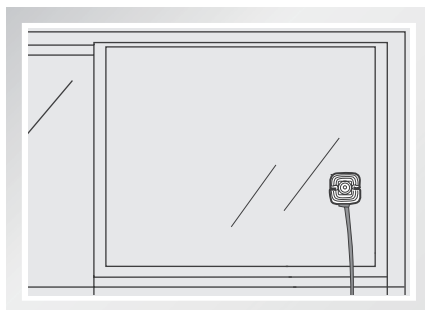
- * If the length of power cord restricts WINBOT 9's movement, a WINBOT Extension Cord can be used. Disconnect End A and End B, and connect them with both ends of the Extension Cord respectively and tighten.
- * Only one Extension Cord can be used when WINBOT 9 is cleaning an outside window.

3. Operating the Robot

3.5 Place the Safety Pod

The Safety Pod **MUST** be placed on the ***inside*** of the window.

- Press the Safety Pod **FIRMLY** on the ***inside*** of the window being cleaned. Make sure the Safety Pod is attached securely in place.

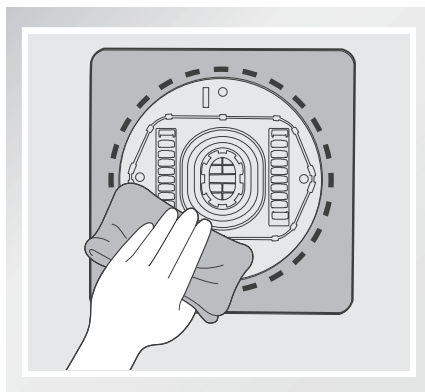
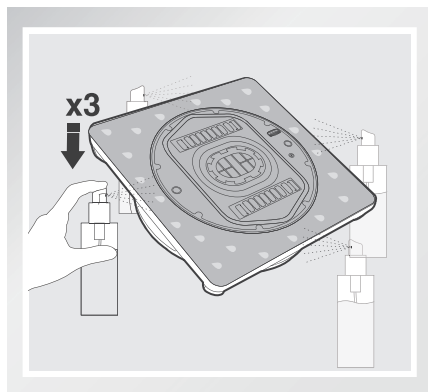


3.6 Spray Cleaning Solution

* WINBOT 9 should only be used with WINBOT Cleaning Solution. Using other cleaners significantly reduces WINBOT's performance and can damage the robot.

Spray each side of the Cleaning Pad with the provided WINBOT Cleaning Solution 3 times. The Cleaning Pad should be damp, not wet.

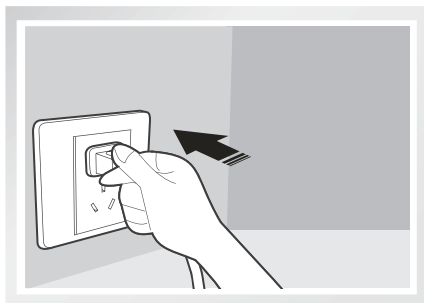
After spraying, wipe the bottom of WINBOT 9 with the provided Finishing Cloth.



3. Operating the Robot

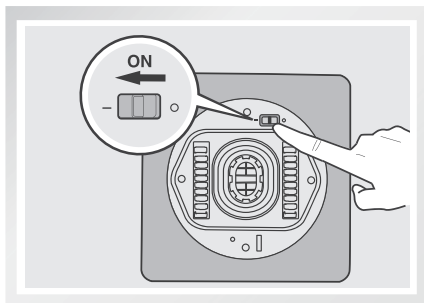
3.7 Start

1 Plug in WINBOT 9



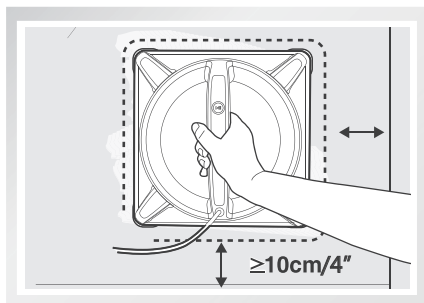
2 Power ON

Move the Bottom Power Switch to the “**—**” position. WINBOT 9 is powered ON when it beeps and the Status Indicator Light flashes BLUE.



3 Place on the Glass

- Press the START/PAUSE Button on WINBOT 9's Handle. WINBOT 9's suction motor starts.
- Place WINBOT 9 on the window at least 10cm (4") from the corners or other obstacles and press it firmly on the window. WINBOT 9 has successfully attached to the window when the Status Indicator Light glows a continuous BLUE.

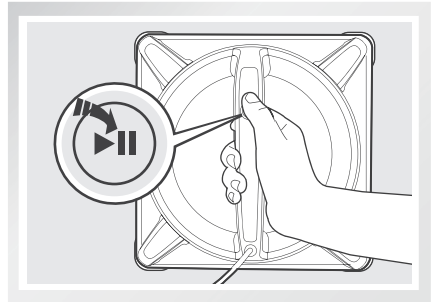


* Please ensure there is a 15cm (5.9") clearance between the glass and obstacles in the room like curtains or furniture.

3. Operating the Robot

4 Start

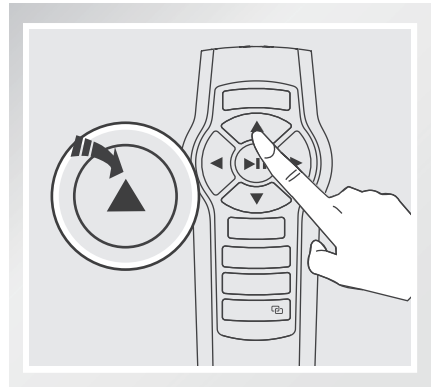
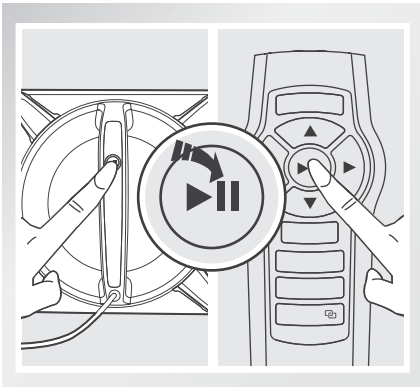
Press the START/PAUSE Button on WINBOT 9 or on the Remote Control to begin cleaning.



3.8 Pause

Pause WINBOT 9 during cleaning by pressing the START/PAUSE button on the robot or on the Remote control.

WINBOT 9 can be directed to move forward, backward, left and right using the Direction Control Buttons on the Remote Control when Paused. WINBOT 9 will clean when Direction Control Buttons are used.



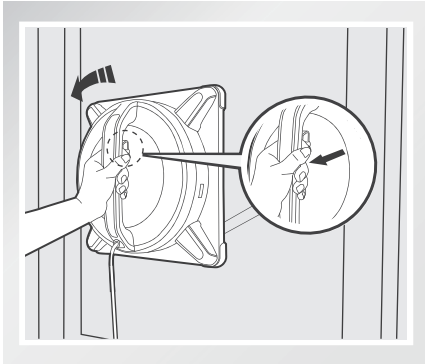
3. Operating the Robot

3.9 Stop

When WINBOT 9 completes its cleaning cycle, it returns to the place it started and beeps.

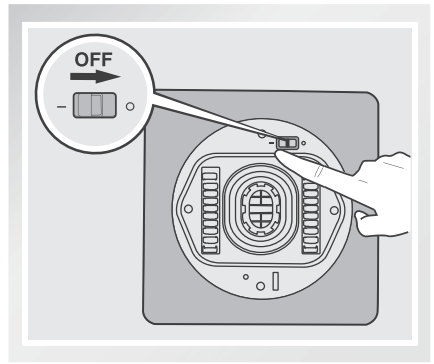
1 Remove WINBOT 9

Grasp WINBOT 9's Handle. Pull the Air Release Trigger and remove WINBOT 9 from the window. Polish away any marks left on the glass from WINBOT 9's removal with the provided Finishing Cloth.

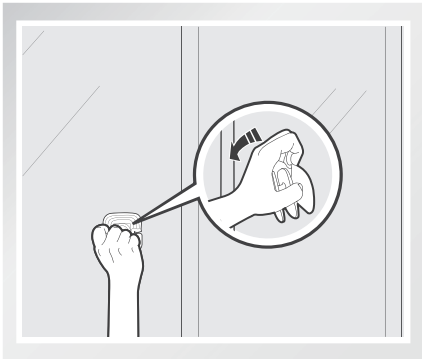


2 Power OFF

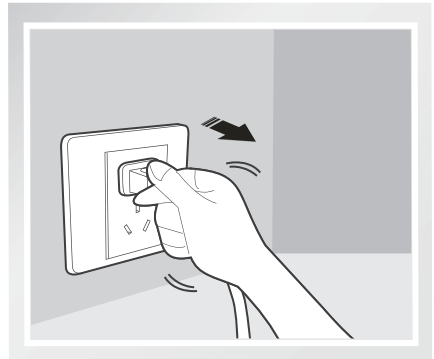
Move the Power Switch to the "O" position.



3 Remove the Safety Pod, if used.



4 Unplug WINBOT 9



* If WINBOT 9 has a problem and the Indicator Light glows RED, it can be reset by pressing the Reset Button on the Remote Control.

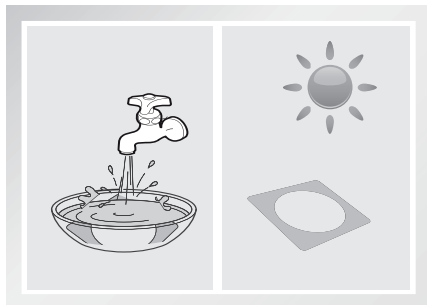
4. Maintenance

Before performing cleaning and maintenance on WINBOT 9, move the Bottom Power Switch to the "O" position and unplug it from the receptacle.

4.1 Cleaning Pad

Turn the robot over and remove the Cleaning Pad. Rinse the Cleaning Pad and allow it to dry completely before re-attaching it to the robot.

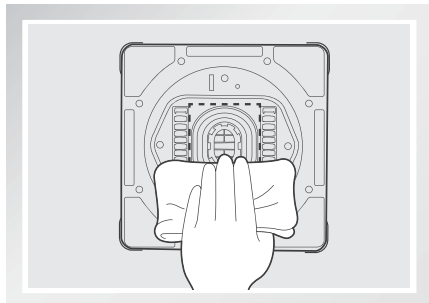
* Do NOT use a wet Cleaning Pad on WINBOT 9, or it may slip on the window.



4.2 Cupule, Sensors, Squeegee, Corners

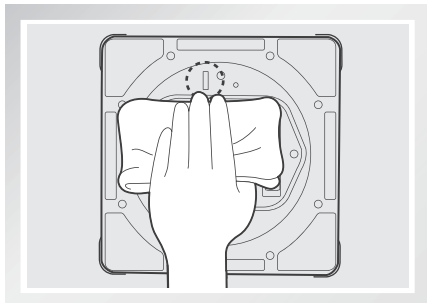
Cupule

Turn the robot over and wipe any debris from the surface of the Cupule with the provided Finishing Cloth to maintain suction.



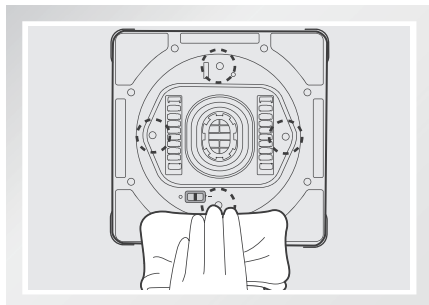
Wheel Sensor

Turn the robot over and wipe the Wheel Sensor with the provided Finishing Cloth to maintain its effectiveness.



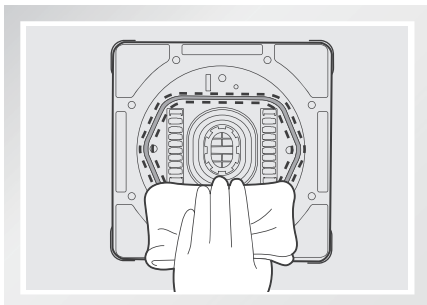
Edge Detection Sensors

Turn the robot over and wipe the four Edge Detection Sensors clean with the provided Finishing Cloth to maintain their effectiveness.



Squeegee

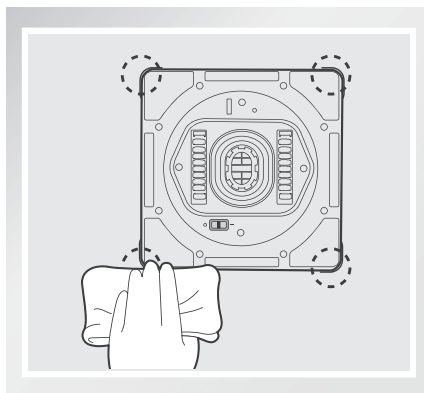
Turn the robot over and wipe the Squeegee clean with the provided Finishing Cloth to maintain its effectiveness.



4. Maintenance

Cleaning WINBOT 9's corners

Turn the robot over, remove the Cleaning Pad and wipe the four corners of WINBOT 9 with the provided Finishing Cloth.

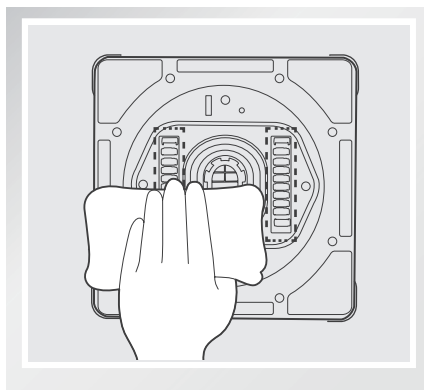
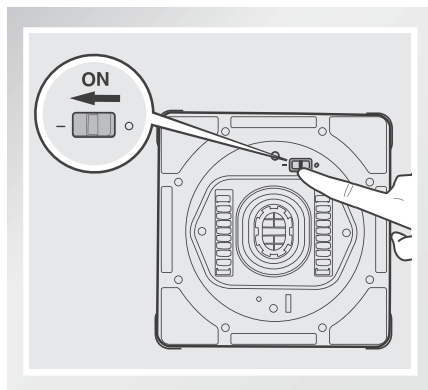


4.3 Driving Treads

Move the Bottom Power Switch to the “I” position.

Inspect the Driving Treads by using the ▲ and ▼ buttons on the Remote Control. Stop the Driving Treads if dirt is seen on the Treads. Move the Bottom Power Switch to the “O” position.



Clean any dirt on the Driving Treads with the provided Finishing Cloth.



5. Status Indicator Light and Sounds

Indicator	Description
Status Indicator Light flashes GREEN	Back-Up Battery is low and is charging. WINBOT 9 will not clean until the Back-Up Battery is properly charged.
Status Indicator Light flashes BLUE	WINBOT 9 is powered ON, suction motor is running, and is ready to be placed on the window. If WINBOT 9 is already on the window, please refer to section 6 Troubleshooting.
Status Indicator Light glows a continuous BLUE	WINBOT 9 has successfully attached itself to the glass and is ready to clean.
Status Indicator Light glows RED	WINBOT 9 has a problem. Please refer to Section 6, Troubleshooting, for details.
WINBOT emit beeps	WINBOT 9 beeps in following situations: WINBOT 9 is powered ON. WINBOT 9 finishes cleaning. WINBOT 9 is successfully paired with its Remote Control. WINBOT 9 has a problem.

6. Troubleshooting

NO.	Malfunction	Possible Causes	Solutions
1	Remote Control does not work.	WINBOT 9 is cleaning. When WINBOT 9 is cleaning, only the START/ PAUSE Button works on the Remote Control.	Pause WINBOT 9 by pressing the START/ PAUSE button on the robot or Remote Control. Other buttons on the Remote Control will function when WINBOT 9 is paused.
		The Remote Control is not paired with WINBOT 9. WINBOT 9 arrives from the factory paired with its Remote Control. If the Remote Control becomes un-paired or is replaced, it can be re-paired.	Power ON WINBOT 9. At the same time, press and hold  button on WINBOT 9 and  button on the Remote Control. Pairing is complete when WINBOT 9 beeps.
		The batteries are not installed in the Remote Control or need to be changed.	Install or replace the batteries in the Remote Control.
2	Status Indicator Light flashes BLUE after WINBOT 9 is placed on the glass.	There is not enough suction to attach WINBOT 9 to the glass.	<p>A.Press WINBOT 9 on the window a little more firmly.</p> <p>B.Check for debris on the Cupule. Clean the surface of the Cupule with the provided Finishing Cloth as described in section 4.</p> <p>C.The glass is too dirty for WINBOT 9 to attach to the glass properly. Clean a small area on the glass before use and place WINBOT 9 there.</p> <p>D.If the problem persists, please contact Customer Service.</p>

6. Troubleshooting

NO.	Malfunction	Possible Causes	Solutions
3	Status Light Indicator glows RED after it is powered ON, or during cleaning.	Interruption of electricity while WINBOT 9 was cleaning due to power failure, plug displacement, or loose connection to the Power Adapter.	A. Connect WINBOT 9 to the Power Adapter and plug into the receptacle. Press START/ PAUSE Button on the robot or on the Remote Control. WINBOT 9 will resume cleaning. B. In case of power failure, and the above solution does not work, WINBOT 9 should automatically go back to a place near its start point. In rare cases when the robot does not go back to a place near its start point, please use the Direction Control Buttons on the Remote Control to direct the robot to a position on the window where you can safely reach it. Remove the robot from the window and move the Bottom Power Switch to the OFF position. If power has resumed, move the Bottom Power Switch back to the ON position, place the robot on the window again and restart.
		WINBOT 9 has encountered a problem.	A. Press the RESET Button on the Remote Control. B. Check for stubborn stains on the window. Clean the stains before using WINBOT 9. C. Check the Cupule for dirt or damage. Clean the Cupule as described in section 4. If Cupule is scratched or damaged, replace it with a new one. D. If the problem persists, please contact Customer Service.
		The Cleaning Pad Plate turned before WINBOT 9 reached the edge of the window.	Spray additional Cleaning Solution on the Cleaning Pad. Restart. If the problem persists, call Customer Service.
		Edge Detection Sensor malfunction.	Clean the four Edge Detection Sensors as described in Section 4. If the problem persists, please contact Customer Service.
		The window has a thick layer of dirt on it.	Clean the window by hand first and use WINBOT 9 for regular cleaning after that. *WINBOT 9 is intended to be used for maintenance cleaning on common windows. The product is NOT designed to replace heavy duty or first time cleaning.
4	WINBOT 9 does not follow its normal cleaning pattern, moves erratically or stops.	The Cleaning Pad is not placed exactly within its Velcro area.	Remove and reattach the Cleaning Pad making sure it is placed exactly within its Velcro area.
		The Cleaning Pad is dirty.	Replace the Cleaning Pad.
		The Cupule is dirty or the Driving Treads are dirty.	Clean the surface of the Cupule and Driving Treads with the provided Finishing Cloth as described in section 4. If the problem persists, please contact Customer Service.

