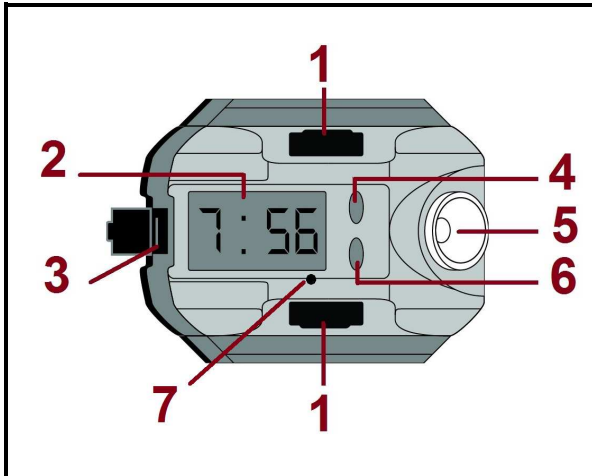


INSTRUCTION MANUAL

PRODUCT DESCRIPTION



1. Button to turn on, choose among the 5 lighting modes and to turn off the flashlight *
2. Display screen
3. Port to connect the charger (included) or the the USB cable (not included)
4. Button to display time, date and seconds
5. LED Flashlight
6. Button to set the time and date
7. Charging indicator light

FIG. 1

* Both buttons have the same function which allows to select the 5 lighting modes (high, medium, low, SOS flashing and strobe).

Included accessories: 1 x Adapter

HOW TO WEAR THE WATCH ?

The watch should be worn as shown in figure 2 in the opposite. It could be worn either on the right or on the left wrist.



- The flashlight should not be directed towards oneself.
- DO NOT AIM the light beam directly to the eyes.

- Note :**
- If it is worn on the right wrist, the time can be read correctly. If you put it on the right wrist, the time will be displayed upside down.
 - The watch can also be used as extra lighting when placed on a table.

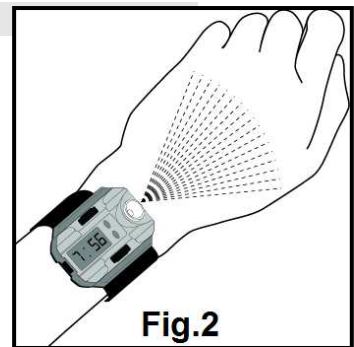


Fig.2

TECHNICAL CHARACTERISTICS

Power supply: 1 x rechargeable lithium-polymer button cell 600mAh, 3.7V (for LED flashlight)
1 x SR626 button cell battery for digital display

Adapter features :

- 100-240V~ 50/60HZ
- 5V ---, 2A

LED: 1 LED CREE XPE, 3W

Light output: 250 lumens (high intensity), 180 lumens (medium intensity) and 100 lumens (low intensity)

CHARGING THE BATTERY

When the charging light indicator become green, it means that the battery is fully charged.

Please refer to the table below for the status of the indicator light.

Colour of indicator light	Status
Red	Ongoing charging
Green	Complete charge (full charge)
Flashing red	Batterie faible Low battery

Procedure for charging the battery:

1. Connect the adapter cable to the watch.

Note: You can also charge the battery by using a USB cable (not included). You only have to connect it to the USB port of the computer.

2. Then, plug the adapter into the wall outlet.

Charging time on first use:

About 3 hours

Durée des chargements suivants :

About 2 hours depending on the charging level of the battery

OPERATION

Time and date display

Appuyer sur le bouton (4) par pressions successives pour afficher la date, les secondes et l'heure. Press button (4) repeatedly (one by one) to display the date, seconds and date.

Setting the date and time

1. Press button (6) 2 times. The figure corresponding to the month displays.
2. Press button (4) to set the month.
3. Press button (6) to confirm and enter the day setting.
4. Press button (4) to set the day.
5. Press button (6) to confirm and enter time setting.
6. Repeat steps 4 and 5 to set the figures corresponding to hours and minutes.

Note :

- After confirming the minutes, the hour and the minutes will be displayed.
- To reset the seconds, press the button (4) repeatedly, in normal time mode display, until the seconds display. Then press button (6) to reset the seconds.

Lighting modes

The watch has got 5 lighting modes : high intensity, medium intensity, low intensity, SOS flashing and strobe.

Press button (1) repeatedly (one by one) to select the desired lighting mode in the following order: high intensity, medium intensity, low intensity, SOS flashing, strobe and turning off the light.

When you get the desired lighting mode, stop pressing.

The elapsed time between each press of the buttons must not exceed one second otherwise the flashlight will turn off when pressing the button.

Appuyer pour le bouton (1) par pressions successives pour sélectionner le mode d'éclairage désiré dans l'ordre suivant : intensité forte, moyenne, faible, clignotement SOS, stroboscope et extinction de la torche.

Lorsque le mode d'éclairage désiré est obtenu, arrêter d'appuyer.

Le délai entre chaque pression ne doit pas dépasser 1 seconde car autrement la torche s'éteindra lors de la prochaine pression.

WARNING

- DO NOT immerse the watch in water or any other liquids.
- Keep away from sources of heat, direct sunlight, moisture, water and other liquids.
- Always make sure the crown is fully return to the case to ensure water resistance.
- DO NOT operate the crown or buttons in water or when the watch is wet.
- To prolong the appearance of your watch, avoid contact with the following :Perfumes, hairspray, cosmetics, detergents, adhesives and paints as they cause discoloration, deterioration and damage.
- To help prevent possible damage from perspiration, dust and moisture, periodically wipe your watch with a soft dry cloth.
- To ensure lasting durability please take note of the following points: Never attempt to open the case of your watch. Batteries should be replaced by a qualified technician.
- Your watch is shock resistant, however please be careful not to drop or hit your watch against hard surfaces, as this will cause damage.



WARNING: You should not dispose of this device with your household waste. A selective collection system for this type of product is implemented by your local authorities. Please contact your local authorities to find out how and where collection takes place. These restrictions apply because electrical and electronic devices contain dangerous substances that have harmful effects on the environment or on human health and must be recycled.

This symbol indicates that electrical and electronic devices are collected selectively. The symbol shows a waste container crossed out with an X symbol.



Imported by PRODIS SAS 1 rue de Rome 93110 ROSNY SOUS BOIS-France/ Made in PRC
Marketed by EUROTOPS VERSAND GMBH D-40764 LANGENFELD