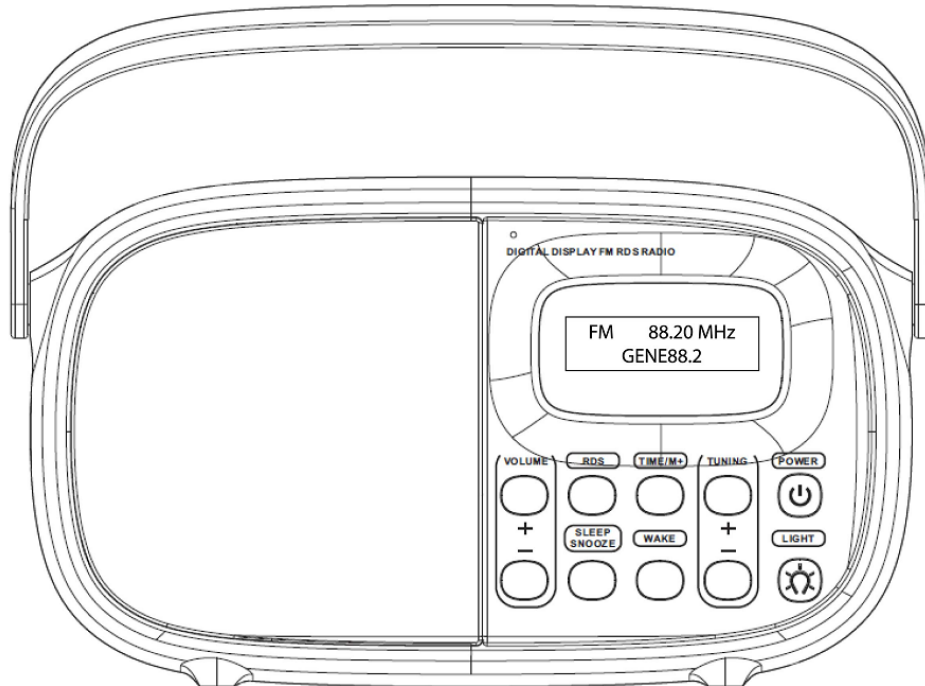


EP630

## DIGITAL RDS RADIO INSTRUCTION MANUAL

**Please read the manual before your first use. Keep this manual safe for future reference!**

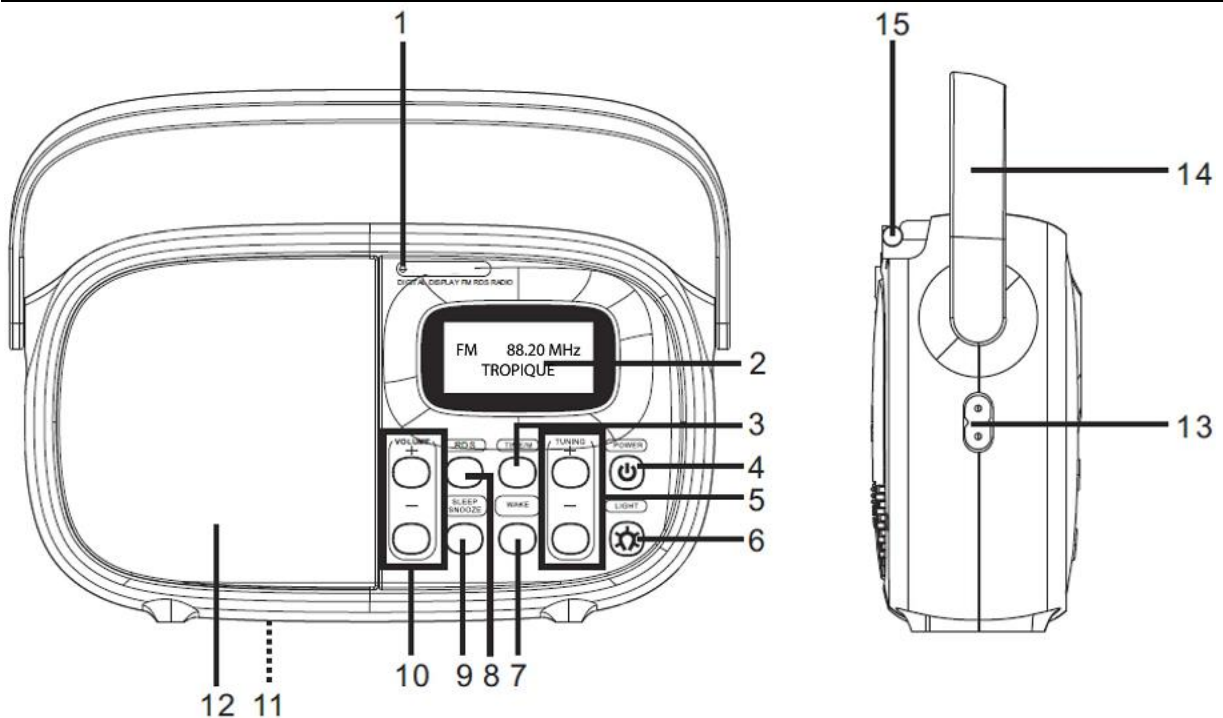


### SAFETY INSTRUCTIONS

**This appliance can be used by children aged from 8 years and above and by persons with reduced physical, sensory or mental capabilities or lack of experience and knowledge if they have been given supervision or instruction concerning use of the appliance in a safe way and understand the hazards involved.**

**Children shall not play with the appliance. Cleaning and user maintenance shall not be made by children unless they are supervised.**

## PRODUCT DESCRIPTION



- |                    |                              |
|--------------------|------------------------------|
| 1. RED INDICATOR   | 9. SLEEP/SNOOZE BUTTON       |
| 2. LED DISPLAY     | 10. VOLUME+/- BUTTON         |
| 3. TIME/M+BUTTON   | 11. BATTERY DOOR (BACK SIDE) |
| 4. POWER+BUTTON    | 12. SPEAKER                  |
| 5. TUNING+/TUNING- | 13. AC IN SOCKET             |
| 6. LIGHT BUTTON    | 14. HANDLE                   |
| 7. WAKE            | 15. FM ANTENNA               |
| 8. RDS BUTTON      |                              |

## POWER SUPPLY

The radio can be operated by 2 means of power:

- 1) Either by a mains adaptor (included), connected to the AC power socket (13) of the radio and plugged into a wall socket.
- 2) 2 x D/ LR20 size batteries (not included).

### Notes :

- The AC power cord is in the battery compartment (11).

### Technical specifications

- 230V~ 50Hz 5W
- ou 2 piles D/ LR20, 3V
- Frequency range :
  - FM : 87.5-108 MHz

## HOW TO USE THE RADIO

### Basic function

- 1.) Press the LIGHT button (6) to display the time by default.
- 2.) Press it again to turn off the display.
- 3.) Press the power button (4) to turn ON and turn OFF the radio. The red indicator (1) will light up.
- 4.) Press the volume + / - button (10) to adjust to your desired volume.

### Radio function

- 1.) Extend the telescopic aerial as far as it can go.
- 2.) Press the power button to turn on the radio.
- 3.) Tune into your desired station.
  - Press and hold TUNING + or – button (5), the radio will tune to a station automatically.
  - Press TUNING + or - button to scroll through the stations manually. Using the manual tune feature, you can select a specific digital radio channel frequency and then manually adjust the aerial, or the location of the radio, to get the strongest possible signal for that channel in your location.
- 4.) Press the Power button to stop the radio.

### Storing a station preset

**Your radio can store up to 10 FM stations to the preset keys for instant access to your favorite stations.**

Press the LIGHT button (6) first.

- 1.) Tune your radio to the station that you wish to preset.
- 2.) Press and hold M+ button (3) and “PX” will flash on the screen.  
**Note:** “X” is the number of the preset from 01 to 10.
- 3.) Press TUNING + or TUNING - button (5) to select the preset station number.
- 4.) Press the M+ button again to confirm and the preset number will stop flashing. The “PX” will change back to FM. If no button is pressed during about 10 seconds, it will quit the storage mode.

### Note:

If there is already an existing FM station stored under a preset, it will be overwritten when you store the new station.

### Tune to a preset station

- 1.) In FM radio mode, press the M+ button (3) to scroll through the station presets.
- 2.) Select the station that you would like to listen to.

### **RSD function**

When listening to a station you can change the information that will appear on the display when you press “RDS” key (8).

There are different types of information that are sent by the broadcaster in RDS mode as below. But not all of them will always be displayed.

Press the RDS button (8) repeatedly to display the following functions:

- 1.) **PTY (Programme type)** function is to identify the current program such as News, Talk, Music etc.

FM 88.20 MHz PTY NONE
--------------------------

- 2.) **RT (Radio text )** function is to show the broadcast information, such as the name of the current played songs, singers, etc.

FM 88.20 MHz KIM-mon ami version TFM
---

**Note:** If the radio is loading the broadcast information, the screen will display “WAITING”

FM 88.20 MHz waiting
-------------------------

- 3.) **CT (Clock time)** function is to adjust time. The clock time will be automatically synchronized to the broadcasting time by the RDS service. **But it might take some time.**

FM 88.20 MHz CT 12:13
--------------------------

- 4.) **PS (Programme service)** represents station identity name.

FM 88.20 MHz GENE 88.2
---------------------------

**Note:** If the radio can't fully receive the broadcast signal, the above RDS functions might not display the information. If no broadcast information is available for the channel, it will display for example “PTY NONE”, “RT NONE”.

### **Setting the clock**

Please quit radio mode by pressing the **POWER** button (4) first.

- 1.) Press and hold **TIME** button (3), the time will start flashing on the screen.
- 2.) Press **TUNING +** button (5) to select **hour cycle** from 1 to 24.

- 3.) Press **TUNING –** button (5) to select **minute cycle** from 0 to 59.
- 4.) Press the TIME button again to confirm the setting and the time will stop flashing.

**Note:** If no button is pressed during the setting, it will auto-confirm in about 7 seconds.

### **Setting the alarm clock**

When setting up the alarm, you can select 2 alarm sounds: Buzzer or Radio.

To set the alarm, proceed as below:

- 1.) Press WAKE button (7) to select Off, Buzzer or Radio. The alarm clock symbol will appear at the same time. You can set the alarm wake to buzz or radio.

**Note:** When you select Off, the alarm clock will be deactivated.

- 2.) Press and hold WAKE button (7), the time will start flashing.
- 3.) Press **TUNING +** button (5) to select **hour cycle** from 1 to 24.
- 4.) Press **TUNING -** button (5) to select **minute cycle** from 0 to 59.
- 5.) Press WAKE button (7) again to confirm the setting, the alarm time will stop flashing and the time will appear.

### **Note:**

- If no button is pressed during the setting, it will auto-confirm in about 7 seconds.
- Press the WAKE button (7) to turn off the alarm and the alarm clock symbol and the light display will disappear.

### **Snooze mode**

- When the alarm (buzzer or radio) goes off, press the SNOOZE button, the alarm clock symbol and time display disappear.
- Press "LIGHT" button to display time and the clock symbol will flash indicating it is in snooze mode. The alarm will restart in about 9 minutes.
- To quit the snooze mode, press the WAKE button and the alarm clock symbol and the light display will disappear.

### **Setting the sleep timer**

- 1.) In radio mode, press the SLEEP button repeatedly, the screen will display Sleep 90/80/70/60/50/40/30/20/10 minutes, Sleep off. The radio will turn off automatically in the selected time.
- 2.) Press the SLEEP button until it shows the number of minutes you want. It will auto-confirm in about 5 seconds.
- 3.) To cancel the sleep timer, just press the SLEEP button until the screen displays SLEEP OFF.

## **TROUBLESHOOTING**

**If you are experiencing problems with your RDS radio, there are some quick and easy checks that you can do, which may help to solve the problem.**

### **Radio reception is poor**

- Please remember to scan for RDS stations again once you have moved your radio to another place.
- Check that you do not have other electrical equipment too close to your radio, causing interference.

## WARNING ON BATTERIES

- Never mix alkaline, standard (carbon-zinc) and rechargeable (nickel hydride).
- Don't mix new and used batteries.
- Don't attempt to recharge non rechargeable batteries.
- Remove rechargeable batteries from the device (if possible) before charging them.
- Rechargeable batteries must always be recharged under adult supervision.
- Remove used batteries.
- Never short the power supply terminals.
- Always use the recommended or equivalent battery types.
- Always pay attention to battery polarity.

**WARNING:** You should not dispose of this device with your household waste. A selective collection system for this type of product is implemented by your local authorities. Please contact your local authorities to find out how and where collection takes place. These restrictions apply because electrical and electronic devices contain dangerous substances that have harmful effects on the environment or on human health and must be recycled.

This symbol indicates that electrical and electronic devices are collected selectively. The symbol shows a waste container crossed out with an X symbol.



If the power cable is damaged, it must be replaced by the manufacturer, after sales service, or a person qualified in this area in order to avoid any accidents arising.

Imported by PRODIS SAS, 1 rue de Rome, 93110 Rosny-sous-Bois, France  
Marketed by EUROTOPS VERSAND GMBH D-40764 LANGENFELD, Germany  
Made in PRC

