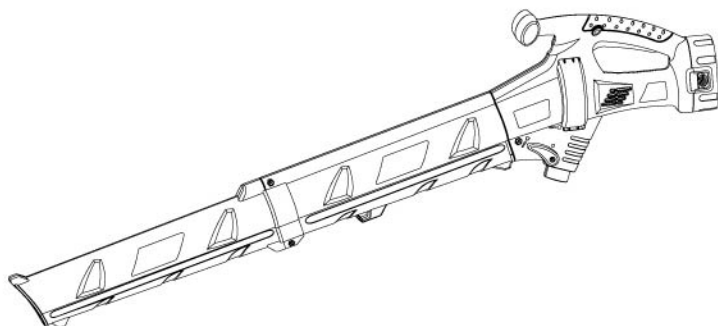


Cordless Blower Instruction Manual

CAT. No.: 37477



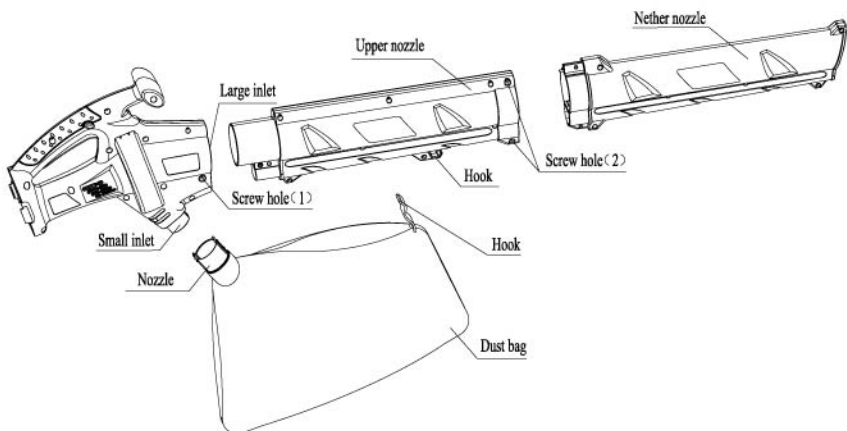
WARNING: READ THIS MANUAL BEFORE USING !

For your safety and for proper operation and maintenance,
Please read carefully and keep readily available for
future reference

● TECHNICAL SPECIFICATIONS

Type	MOW-ET-18
Battery voltage	DC 18V
Battery type	Ni-Cd
No load speed	19000rpm
No load power(average)	200W
Air speed	180Km/h
Air pressure	5.5Kpa
Sound power level LWA	98dB(A)
Dust bag volume	15L
Battery capacity	1.7Ah
Charging time	about 1 Hour
Net weight (with battery cartridge)	2.6Kgs (5.7 Lbs)

● Assembly the blower



Step 1

Attach the nether nozzle to the upper nozzle, put two screws (M4×25) into two screw holes (2) , and fasten the screws.

Step 2

Attach the upper nozzle to blower's large outlet, then, put one screw(M5×35) into the screw hole (1) , and fasten the screw.

Step 3

Put the small nozzle of dust bag into the blower's small inlet, and attach the hook of dust bag onto the upper nozzle.

● CHARGING THE BATTERY (Fig.2)

The battery needs to be charged before first use and whenever it fails to produce sufficient power on jobs that were easily done before.

When charging the battery for the first time, or after prolonged storage, it will only accept an 80% charge. After several charge and discharge cycles, the battery will attain full capacity. The battery may become warm while charging; this is normal and does not indicate a problem.

DO NOT CHARGE THE BATTERY AT AMBIENT TEMPERATURES BELOW 4°C OR ABOVE 40°C. RECOMMENDED CHARGING TEMPERATURES: APPROX. 24°C.

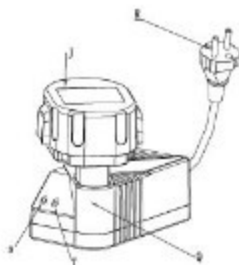


Fig.2

1. Insert the plug (R, Fig.2) into a 230V AC power outlet. The green LED power light (T, Fig. 2) comes on, indicating the charger is ready for use.
2. Insert the battery pack into the receptacle (Q, Fig.2) in the charging station, making sure it is well sealed in the charger. The red LED light (S, Fig.2) will flash (about one time per sec.), indicating the battery is correctly seated and on charge.
3. If the red LED light (S, Fig.2) flashes quickly (about two times per sec.), and the green LED light (T, Fig.2) is still on, the battery pack is too hot and can not be charged. Remove the battery and allow it to cool for 30 minutes and then re-insert it.
4. The battery pack will normally be fully charged after 60-70 minutes, when the red LED light stops flashing and the green light is still on. The initial charge may take longer.
5. Remove the battery form the charger.

● Functional description and operating the blower

1. Installing or removing battery cartridge

- Always switch off the tool before insertion or removal of the battery cartridge.
- To remove the battery cartridge, withdraw it from the tool while pressing the buttons on both sides of the cartridge.
- To insert the battery cartridge, align the tongue on the battery cartridge with the groove in the housing and slip it into place. Always insert it all the way until it locks in place with a little click. If not, it may accidentally fall out of the tool, causing injury to you or someone around you.
- Do not use force when inserting the battery cartridge. If the cartridge does not slide in easily, it is not being inserted correctly.

2. Blowing or dust suction function

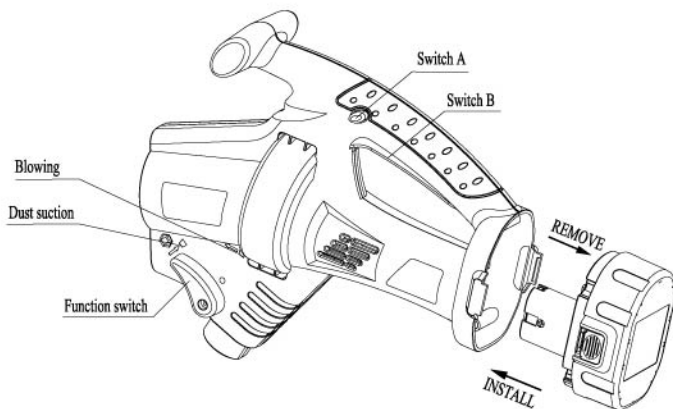
- When blowing, change the function switch to the position “Blowing”.
- When dust suction, change the function switch to the position “Dust suction”.
- If you choose the blowing function you can assemble the dust bag or not. But if you choose the dust suction function you must assemble the dust bag at first.

▲ CAUTION: Always switch off the tool before changing two functions.

3. Starting the tool

- To start the tool, you should press the switch A leftwards or rightwards at first. Then press the switch B.
- After the bag fills with dust, empty the contents of the dust bag into a dust bin by releasing the slide fastener.

▲ CAUTION: Empty the dust bag before it becomes too full, or the suction force weakens.



Note: Remove either the neither nozzle or the upper nozzle the blower can not work.

Conventions used in this manual:

This is the safety alert symbol. It is used throughout this manual and on the blower's safety labels to alert you the potential personal injury hazards. Obey all safety messages and follow this symbol to avoid possible injury or death.

Read these instructions carefully. It is essential that you read the instructions and safe precautions before you attempt to work on or use this unit.

**DANGER**

This symbol with the word "DANGER" indicates a potentially hazardous situation which, if not avoided, could result in death.

**WARNING**

This symbol with the word "WARNING" indicates a potentially hazardous situation which, if not avoided, could result in serious injury.

**CAUTION**

This symbol with the word "CAUTION" indicates a potentially hazardous situation which, if not avoided, may result in minor or moderate injury

Important: This information is important for the proper use of your machine. Failure to follow this instruction could result in injury to you or damage to your Blower.

- **OPERATING INSTRUCTIONS**



WARNING: In order to reduce the risk of fire or injury, please firmly obey and follow instructions before start to use the blower.

1. Read, understand, and follow all instructions on the Blower and in the manual. Make sure that adults wholly understand the controls and the appropriate use of the blower before starting.
2. Only use the battery supplied with this product. The safety of other batteries is not guaranteed.
3. Only use the authorized charger supplied by the manufacturer to recharge.



WARNING: Prohibit using damaged batteries, which may cause serious injury or explosion.

4. Do not leave appliance when battery fitted. Remove battery from appliance when not in use and before serving.
5. Only use manufacturer's recommended attachments, the safety of other replacements is not allowed and not guaranteed.

6. If the battery is not working as it should has been dropped, damaged, left outdoors, or dropped into water, return it to recycle center, or send it to retailers for help.
7. Do not put any object into openings, Do not use with any opening blocked; Keep free of dust, lint, hair, and anything that may reduce air flow.
8. Please do not fit the battery to the blower, when assembly it.
9. Take extreme care when cleaning the lawn; avoid taking the relative large rock or hard block into machine, which may cause damage to the blower.
10. Keep hair, loose clothing, fingers, and all parts of body away from openings and moving parts.
11. Do not use to pick up flammable or combustible liquids such as gasoline, and do not use in this area.
12. Do not use to pick up anything that is burning or smoking, such as cigarettes, matches, or hot ashes.
13. Do not use without dust bag in place when collecting dust
14. In order to avoid unintentional starting, do not carry battery fitted tool with finger on switch, be sure switch is off when insert the battery.
15. Do not use appliance on wet surfaces.

● SAFETY INSTRUCTIONS

1. Make sure that all operations follow instructions of this manual under safe circumstance.
2. Only allow responsible individuals who have a totally understanding of these instructions to operate the Blower.
3. Never allow children to operate the Blower.
4. Usually wear safety goggles or glasses when operating mower in order to protect your eyes from possible flying objects. Use a dust mask if operating in dust conditions.
5. Be aware that this appliance is always in an operating condition, because it does not have to be plugged into an electrical outlet.
6. Never point the nozzle at anyone in the vicinity when using the blower.
7. Always use the dust bag when collecting dust, chips and the similar things.
8. Do not collect still smoldering cigarette ashes, freshly cut metals shavings, screws, nails and something like above.
9. Never block suction inlet/outlet and blower outlet. Increased motor revolution may cause dangerous fan breakage.

● SAFETY INSTRUCTIONS FOR BATTERY CHARGERS

1. Do not charge the blower in wet or rainy conditions.
2. Do not expose charger to rain or snow.
3. Before using charger, read all instructions and cautionary markings on charger.
4. The charger and battery are specifically designed to work together.
▲ DANGER: DO NOT attempt to charge the battery with any chargers other than the ones in this manual.

5. This charger is not intended for any utilities other than charging rechargeable batteries.

▲ DANGER: any other use may result in risk of fire, electric shock or electrocution.

6. To reduce risk of damage to electric plug and cord, disconnect from mains socket by pulling the plug rather than the cord.
7. Make sure cord is located so that it will not be stepped on, tripped over, or otherwise damaged in any way.
8. The charger is ventilated through slots in the top and the bottom of the housing.

▲ WARNING: DO NOT place any object on top of charger or on a surface that might block the ventilation slots and result in excessive internal heat. Place the charger in position away from any heat source.

9. Do not operate charger if it has received a sharp blow, been dropped, or otherwise damaged in any way.
10. Do not disassemble charger. Take it to authorized service center when service or repair is required. Incorrect reassemble may result in a risk of electric shock, electrocution or fire.
11. To reduce risk of electric shock, unplug charger from outlet before attempting any cleaning. Removing the battery pack will not reduce this risk.
12. Never attempt to connect 2 chargers together.
13. DO NOT store or use the tool and battery in locations where the temperature may reach or exceed 105°F (such as outside sheds or metal buildings in summer).
14. The charger is designed to operate on standard household electrical power. Do not attempt to use it on any other voltage!

● SAFETY INSTRUCTIONS FOR BATTERY

1. Do not charge the blower battery in the rain or in wet locations.
 2. Use only the charger provided with your mower to charge your battery.
- ▲ WARNING: use a different charger may cause a fire or explosion.**
3. DO NOT dispose of batteries in a fire, as the battery cells may explode. Do not open or mutilate the batteries. Released electrolyte is corrosive and will cause damage to eyes, skin, or clothes. Battery acid is toxic if swallowed or if the fumes are inhaled.
- ▲ WARNING: DO NOT attempt to alter or open the battery.**
4. It may take up to 5 charging and discharging cycles before your battery provides maximum life.
 5. A battery may last much longer if it is charged as soon as it starts to lose power and is not discharged completely. You should not try to coax a little more out of your battery.
 6. You must charge your battery before using your blower for the first time and in between every use.

▲ CAUTION: the battery with the blower has been charged at the factory, however, you must recharge it fully before first using your blower.

Otherwise, the battery's charging capacity may be decreased.

7. As your battery ages, you may need to charge the battery longer. A good time to consider purchasing a replacement battery is when the battery takes longer to charge.
8. Use normal household voltage when charging you battery. Plug the charge directly into the electrical outlet. Do not abuse the cords. Never carry the charger by the cord. Always put the plug---and not the cord---when disconnecting the cords from the electrical outlet and from the charger.

▲ CAUTION: always connect the charger to the battery first, and then plug it into the wall outlet. When unplugging, reverse the process: unplug the charge from the wall outlet first, and then disconnect it from the battery.

9. Remember to disconnect the battery from the charger in this sequence: pull the charger's plug out of the wall outlet first, and then disconnect the charger from the battery.

▲ WARNING: if the charger plug is removed first, the exposed connector can be accidentally short-circuited by foreign material, which might cause a fire.

10. When the blower is stored for periods up to 6 months, it is significant that the battery be stored in a dry location and that the temperature remains between -4°F (-20°C) and $+104^{\circ}\text{F}$ ($+40^{\circ}\text{C}$). For superior battery performance, make sure the storage temperatures will never be outside these limits. The lower the storage temperature is within the specified range, the better. The battery will discharge more slowly at low temperatures.
11. For off-season storage of the battery, it is important that the battery is fully charged. Leaving the battery with a full charge is the best way to store the battery.

▲ CAUTION: batteries will slowly discharge their power over time.

12. If it is possible, recharge the battery every two or three months. When you are ready to use the blower again, you should recharge the battery fully.

▲ CAUTION: If you have good care of the battery and follow some simple guidelines, you can lengthen the life of your battery.

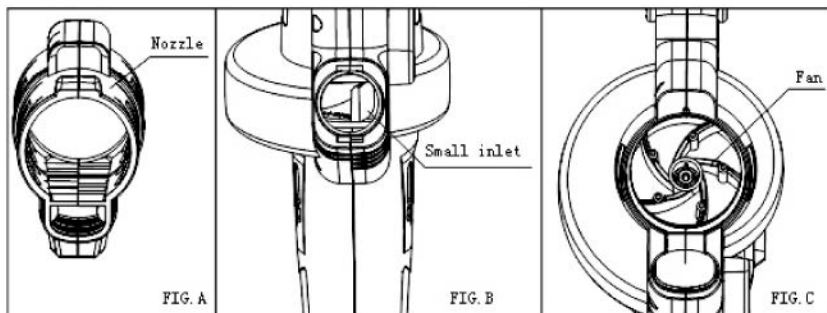
13. Always charge the battery indoor or other covered area, such as garage, where it will be dry and protected from the weather.
14. Only charge the battery when the temperature is at least 32°F (0°C) --- above freezing --- but not more than 104°F (40°C). Charging in lower or higher temperatures can be harmful to the battery.
15. Always keep the battery away from water, heat sources (stoves, radiators, open flames, etc.), and hazardous chemicals.
16. Always use the authorized charger to charge your battery, never attempt to use any other charger.

17. Never use the charger with any other product. Never operate the charger if it is damaged. If a cord or the charger unit has been damaged, replace the charger or have it repaired.
18. Do not worry about leaving the battery charging for more than 18 hours --- the battery cannot be overcharged and will not be damaged after 18 hours. It will not impact the battery to leave it on the charger for up to six months.

● TROUBLESHOOTING

If these solutions do not solve the problem contact your authorized service dealer.

PROBLEM	POSSIBLE CAUSE	SOLUTION
The machine cannot pick up leaves when it is working.	1. The battery is not enough power. 2. There are big leaves or branches left in nozzle.	1. Remove the battery pack and charge. 2. Remove the battery pack and disassemble nozzles from machine and take out block with tools. (FIG. A)
The machine can pick up leaves but cannot arrive dust bag	There is block in small inlet.	Remove the battery pack and disassemble dust bag from machine and take out block with tools (FIG. B)
There is abnormal sound from fan when machine is working.	There is something that is flexible around the fan, such as films or nylon lines	Remove the battery pack and disassemble nozzles from machine and take out block with tools. (FIG. C)



DISPOSAL:

The packaging material is reusable. Dispose of the packaging in an environmentally friendly way by putting it in the appropriate recyclable waste collection containers.



Dispose of the product and the batteries in view of the environment if you want to separate. The device and the batteries must not be thrown in with domestic waste. Take them to a recycling center for used electrical and electronic devices. For more information you can consult your local government. Remove batteries first.

Eurotops Versand GmbH
Elisabeth-Selbert-Straße 3
40764 Langenfeld, Germany



If technical support is needed, please call ...

in Germany	0180 . 530 63 63* or info@eurotops.de
in Austria	01 . 230 60 43 12 or info@eurotops.at
in Switzerland	044 . 28 36 125 or info@eurotops.ch
in the Netherlands	026 . 37 36 333 or info@eurotops.nl
in France	0892 . 700 470** or info@eurotops.fr

* 14 Cents/minute via German landline, max. 42 cents/minute via mobile phone network

**34 Cents/minute via French landline

A possible return of products should be addressed to the return address stated on your invoice.

The manual only reflects the technical conditions available under printing. Any changes in technology and equipment are reserved.

© 26.11.2012