

Portable Solar and Dynamo AM/FM Radio User instructions

READ THE MANUAL BEFORE USE. KEEP THIS MANUAL FOR FUTURE REFERENCE!

TECHNICAL SPECIFICATIONS

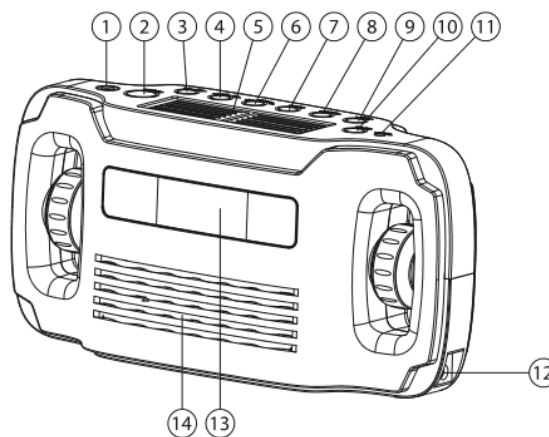
- Frequency ranges: 87 – 108 MHz FM / 520 – 1620 KHz AM
- Duration of charging following: 6-8 hours
- Maximum battery life when fully charged: Up to 9 hours radio / up to 6 hours torch
- Max. luminance: 11/14 lm
- Battery: 300mAh, 3.6V DC
- Jack socket: 3.5 mm
- 3 power modes: rechargeable by its solar panel, dynamo or by USB cable connected to a computer that is powered up.

1

PRODUCT DESCRIPTION

• Front

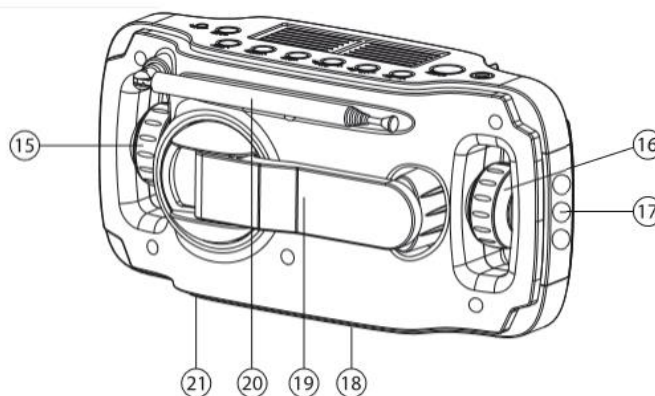
1. Headphone connector jack
2. TORCH button
3. AL.SET button
4. TIME.SET button
5. Solar panel
6. AL. Alarm ON/OFF button
7. HOUR setting button
8. MINUTE setting button
9. LIGHT backlight button
10. BAND (FM/AM) selector button
11. Charging indicator
12. Power socket
13. Screen
14. Loudspeaker



Front

• Back

15. Tuning wheel
16. Volume control
17. LED light
18. Rechargeable battery compartment
19. Crank
20. Antenna
21. ON/OFF switch



Back

USE

• Charging

The radio can be charged in any of three ways:

- Place the solar radio in the sun with the solar panel facing upwards. With maximum sunshine, 1 hour's charging provides sufficient power for up to 30 minutes' radio listening.

- Fold out the handle located on the rear of the radio and turn it clockwise several times. Optimal charging is achieved when the handle is turned approximately three times per second. One minute of cranking provides power for up to 25 minutes' radio listening.
- Plug the USB cable provided into the power socket (12) and plug the other end into the USB socket of a powered-up computer.
- You can also use the solar radio to charge other devices, such as mobile phones. To do this, connect the device to the power socket (12) (cable not supplied) and turn the crank.

● Setting the time

Switch the radio on using the ON/OFF switch (21) located underneath the radio. Press and hold the TIME SET button (3) and at the same time press the HOUR (7) button to set the hours. Press and hold TIME SET (3) and at the same time press the MINUTE button (8) to set the minutes.

2

NOTE: AM on the screen means morning and PM means afternoon.

● Setting the alarm

Your radio can be used as a clock radio. **Switch the radio on using the ON/OFF switch (21) located underneath the radio.** Press and hold the AL.SET button (2) and at the same time press the HOUR button (7) to set the hours. Press and hold the AL.SET button (2) and at the same time press the MINUTE button (8) to set the minutes. Finally, press the AL. ON/OFF button (6) to activate the alarm. An alarm icon on the top right of the screen indicates that the alarm is enabled. When the alarm time is reached, the radio turns on automatically. Press the AL. ON/OFF button (6) to switch it off. To deactivate the alarm, press the AL. ON/OFF button again. The icon will disappear from the screen.

● Screen backlighting

To activate screen backlighting, press the LIGHT button (9). The backlighting will operate for approximately 10 seconds.

SAFETY INSTRUCTIONS

- Be sure to use the product only as indicated in the instructions. Incorrect use could damage the product.
- Disassembly or modification of the product affects its safety. Do not disassemble the device. Never try to repair the product yourself!
- Handle this product with due care. A blow, an impact or a fall, even from a low height, may damage it.
- Never immerse this product in water or any other liquid.
- Supervise children to ensure that they do not play with the device.
- Never look directly into the beam of light from the torch.



CAUTION: This device must not be disposed of in household waste. A system of sorted collection for this type of product is put in place by local councils. You must contact your local council for information on procedures. Electrical and electronic products contain hazardous substances that have harmful effects on the environment or human health and that need to be recycled.

This symbol indicates that electrical and electronic equipment is subject to separate collection. It represents a crossed-out wheeled bin.

If the power cable is damaged, it must be replaced by the manufacturer, its after-sales service or a similarly qualified person, to avoid any danger.

Imported by PRODIS SAS, 1 rue de Rome, 93110 Rosny-sous-Bois, France
Marketed by EUROTUPS VERSAND GmbH D-40764 LANGENFELD, Germany
Manufactured in PRC

