

## Choose a movie:

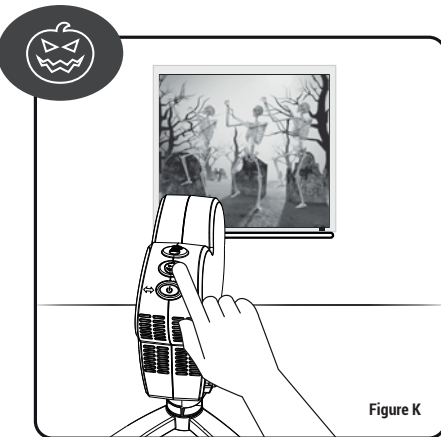


Figure K

1. To turn on the halloween movies, press the orange button with the pumpkin. This icon shows one of the six halloween movies. Press the button again to cycle through the movies. If you have selected a movie, it will continue to play until you choose another. Figure K

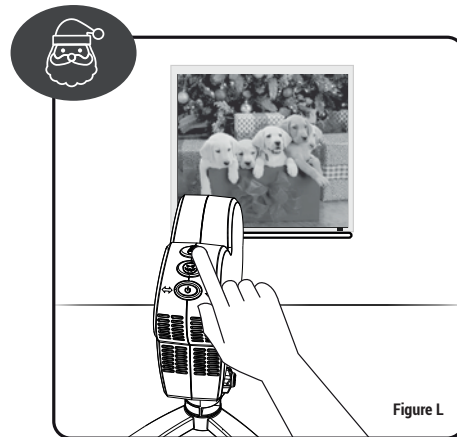


Figure L

2. To turn on the Christmas movies, press the green button with Santa Claus. This icon shows one of the six Christmas movies. Press the button again to cycle through the movies. If you have selected a movie, it will continue to play until you choose another. Figure L

## Use your own tripod:

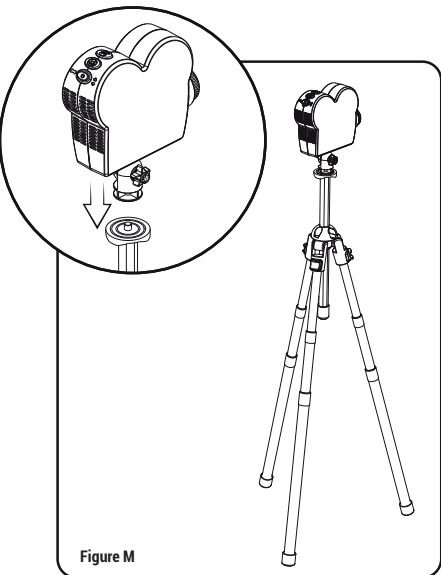


Figure M

1. You can install the Window Wonderland on a traditional tripod (not included). Loosen the supplied base and screw the Window Wonderland on the tripod. Figure M

## Use your own speaker:

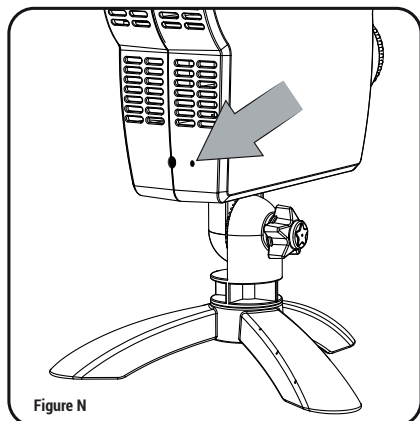
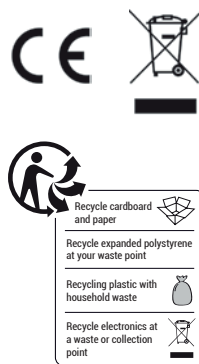


Figure N

1. You can easily connect your speakers on the Window Wonderland. You only need them at the rear of the device on the audio port to connect. The movie of your Window Wonderland is accompanied by sound effects played. Figure N



Distributor for Belgium:



BEST OF TV BENELUX s.p.r.l.  
Route de Genval 16 bâtiment B  
B-1380 Lasne  
contact@bestoftv.be  
Made in China

Manufactured by:



Fairfield, NJ 07004  
©2017 Telebrands  
www.telebrands.com  
Made in China

EN

# StarShower® Window Wonderland™

**PLEASE READ ALL WARNINGS AND INSTRUCTIONS BEFORE USING THE PRODUCT. IN CASE OF IMPROPER USE YOU CAN INJURE YOURSELF. SAVE THESE INSTRUCTIONS.**

Model: 11674

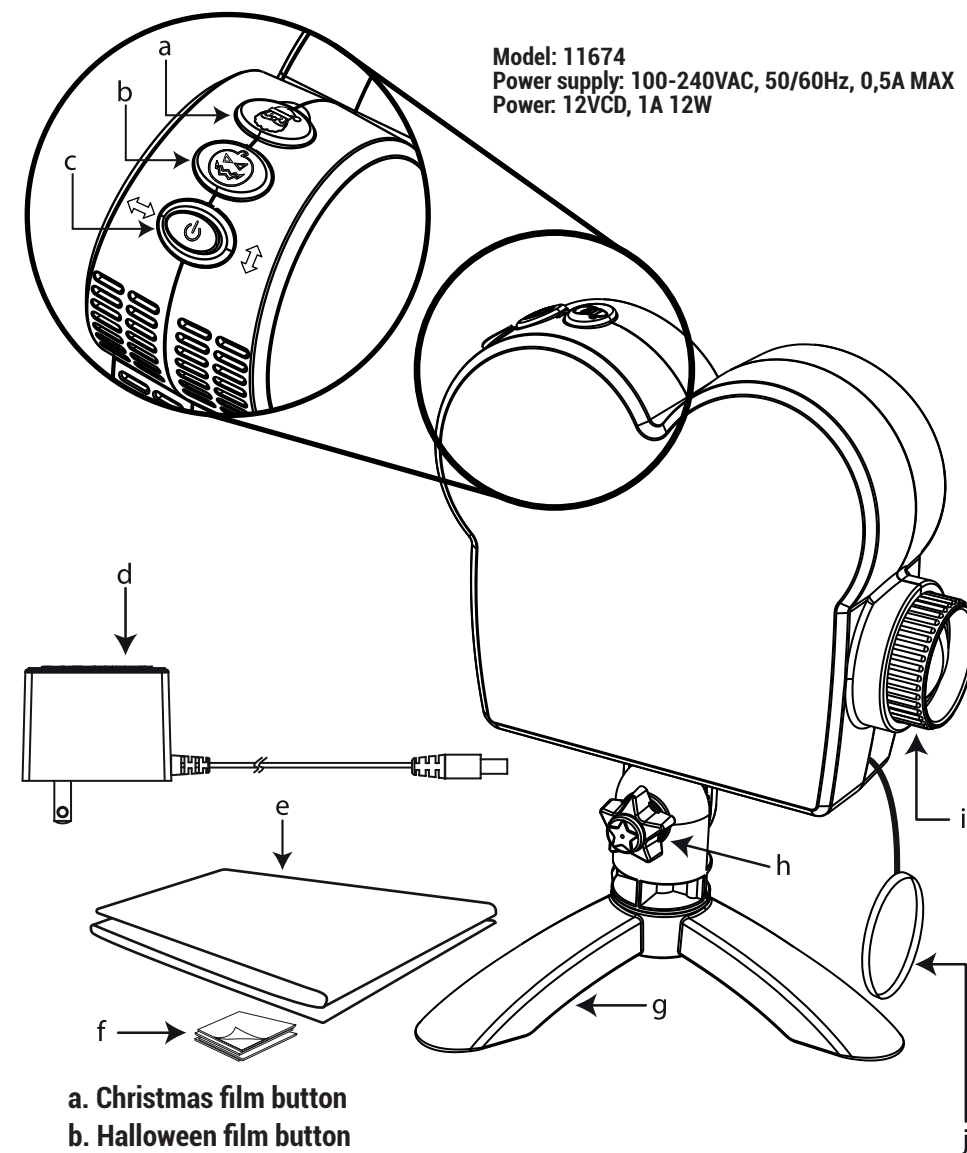
## ⚠ WARNINGS

- Window Wonderland may only be used indoors. Use the device not outside.
- Do not use the device in a damp environment.
- Do not use or store the device in the vicinity of heat sources or fire.
- Always use the product in a well-ventilated area and ensure that the ventilation holes on the housing are not blocked.
- Always use the supplied adapter. If you use the adapter from another device, you could cause a fire or damage the Window Wonderland.
- Unplug the device from the power outlet when you leave the house and when you go to sleep. Never leave the device unattended.
- This is an electrical device and not a toy! To prevent fire, burns, injury or electric shock, place the device out of the reach of children.
- Only use this product for its intended purpose.

## ⚠ ATTENTION

- Only use the adapter supplied with the product to prevent electrical shock.
- Do not use an adapter whose cable has been cut, worn or damaged. Check the condition of the cable regularly.
- Be careful not to damage the adapter. Do not carry the product by the cable; do not pull the adapter out of the socket.

# Product information



Model: 11674  
 Power supply: 100-240VAC, 50/60Hz, 0,5A MAX  
 Power: 12VCD, 1A 12W

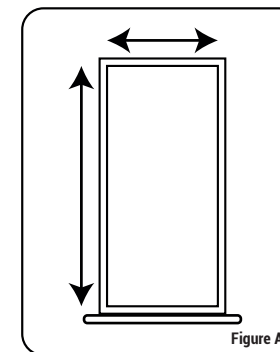
- a. Christmas film button
- b. Halloween film button
- c. Power button / Vertical or horizontal
- d. Adapter
- e. White project screen 1,8 x 1,2m
- f. double-sided adhesive tape
- g. Tripod
- h. Angle adjustment button
- i. Optical lens
- j. Lens cap

Non-contractual photos

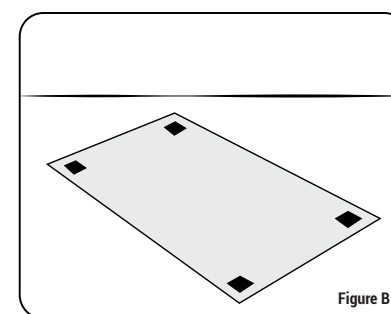
# Installation of the white projection screen



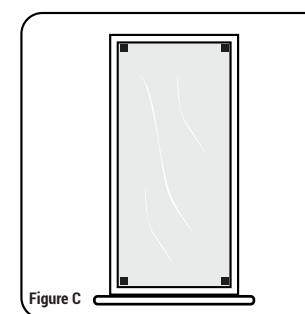
1. Choose the window on which you want to project the films. You can project the films horizontally or vertically.



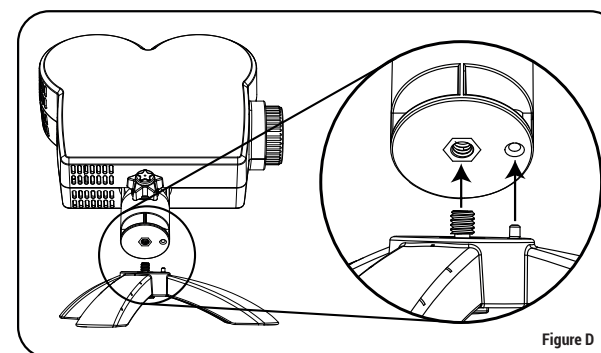
2. Measure the height and width of the selected window. Figure A



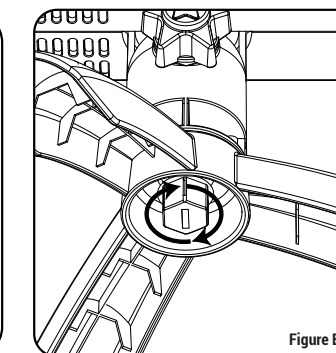
3. Cut the projection screen according to the dimensions you have taken. Then remove the paper from the tape and stick one on each corner of the screen. Figure B



4. Clean the window completely before you install the projection screen. Delete the remaining papers of the adhesive tape and stick them on the corners from the window. Then install the projection screen. To remove the projection screen, carefully loosen it so you don't damage the window surface. Figure C



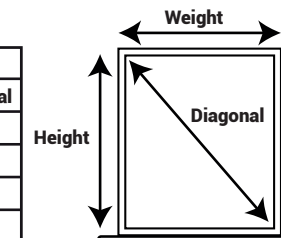
1. Adjust the lower screw on the guide pin. Figure D



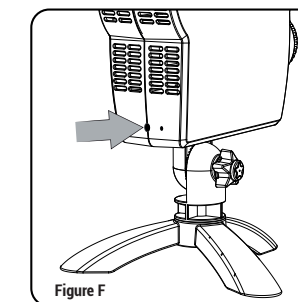
2. Tighten the screw at the bottom clockwise so that the basis on the rest of it device is locked. Figure E

# Installation of the projector

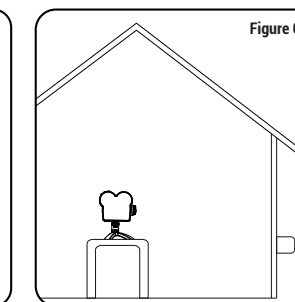
Distance to the window	Height			Diagonal		
	Height	Weight	Diagonal	Height	Weight	Diagonal
1,20m	0,6m	0,45m	0,7m	0,45m	0,3m	0,5m
3,5m	1m	0,9m	1,5m	0,9m	0,65m	1,1m
3,5m	1,75m	1,3m	2,2m	1,2m	0,95m	1,6m
5m	2,1m	1,7m	2,6m	1,7m	1,2m	2m



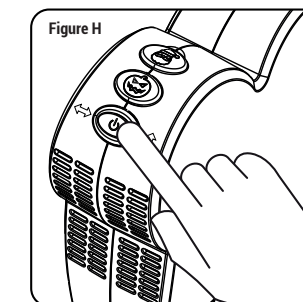
1. When choosing a location for your Window Wonderland, refer to the table above for the correct distance to the window.



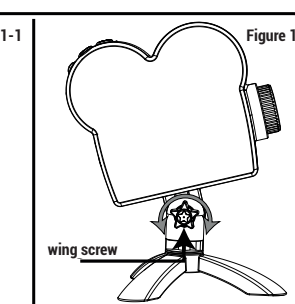
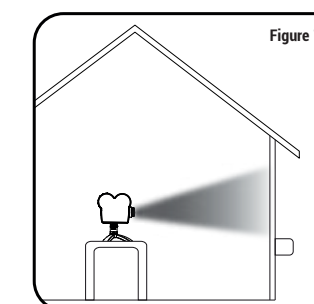
2. Connect the adapter at the back on the device. The supply port is located on the back of the device. Figure F Stop the other end then in one outlet that works



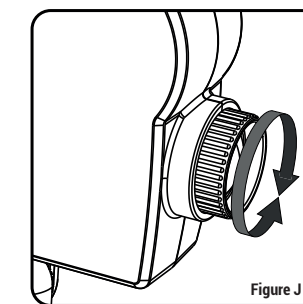
3. Remove the lens cap and place the Window Wonderland on a stable and level surface. Make sure the Window Wonderland is at the correct distance from the window. Figure G



4. Switch off your Window Wonderland by pushing the switch to the one or the other side. If you push it to the right the images projected vertically. When you push the switch to left they projected horizontally. Figure H



5. Place the Window Wonderland so that the movie is projected on a full window. You can finetune the angle of your Window Wonderland by loosening the wing screw. Do not forget to tighten the wing screw again when you have adjusted the angle. Figure 1-1 and Figure 1-2



6. You can focus by rotating the lens in one or another direction. Figure J